

WWWY RESTAURANT

183 WEST 10 STREET, NEW YORK NEW YORK 10013



Architect
 NAPHTALI DEUTSCH RA AIA
 NYS LIC. 027303

NAPHTALI DEUTSCH ARCHITECTURE

T. 917.370.7992
 NaphtaliD@gmail.com

420 CENTRAL PARK WEST
 SUITE 6G NY NY 10025

Copyright: All rights reserved. No part of this drawing may be reproduced without the expressed consent of NDA. Infringements of the concepts and design ideas presented on these drawings are forbidden and violators will be prosecuted to the fullest extent permitted by law.
 1. Drawing not to be used for construction purposes unless authorized by Architect.
 2. Drawing not to be scaled.
 3. Contractor to verify all dimensions and conditions before construction and immediately notify Architect of any discrepancies.

Revised		
No.	Date	Description
△		
△		
△		
△		

Issued		
No.	Date	Description

1 | 3.2.15 | LPC

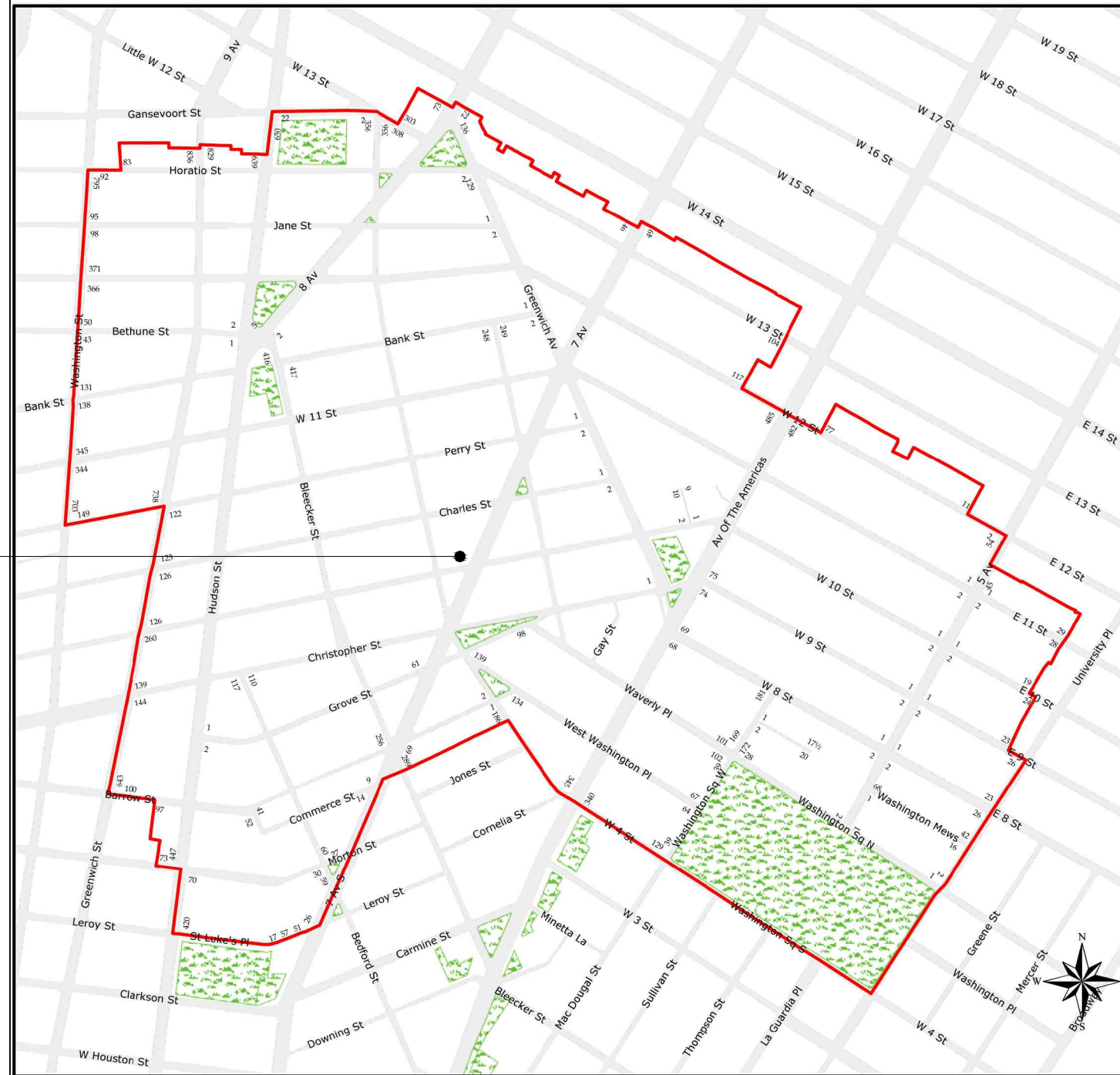
Project:
WWWY RESTAURANT
 183 W 10 STREET
 NEW YORK, NY 10013

Date: 5/10/2016 Scale: AS SHOWN

Drawn By: TL Reviewed By: ND


Seal & Signature	Drawing Title:
	EXISTING STOREFRONT
LPC-001.00	

Greenwich Village



PROJECT LOCATION:
183 W 10 STREET
NEW YORK, NEW YORK 10013

Greenwich Village Historic District
Manhattan
Designated April 29, 1969

 Historic District Boundaries



Architect
NAPHTALI DEUTSCH RA AIA
NYS LIC. 027303

NAPHTALI DEUTSCH ARCHITECTURE

T. 917.370.7992
NaphthalID@gmail.com

420 CENTRAL PARK WEST
SUITE 6G NY NY 10025

Copyright: All rights reserved. No part of this drawing may be reproduced without the expressed consent of NDA. Infringements of the concepts and design ideas presented on these drawings are forbidden and violators will be prosecuted to the fullest extent permitted by law.
1. Drawing not to be used for construction purposes unless authorized by Architect.
2. Drawing not to be scaled.
3. Contractor to verify all dimensions and conditions before construction and immediately notify Architect of any discrepancies.

Revised		
No.	Date	Description
△		
△		
△		
△		
Issued		
No.	Date	Description
1	3.2.15	LPC

Project:
WWWY RESTAURANT
183 W 10 STREET
NEW YORK, NY 10013

Date:
5/10/2016

Scale:
1/2" = 1'-0"

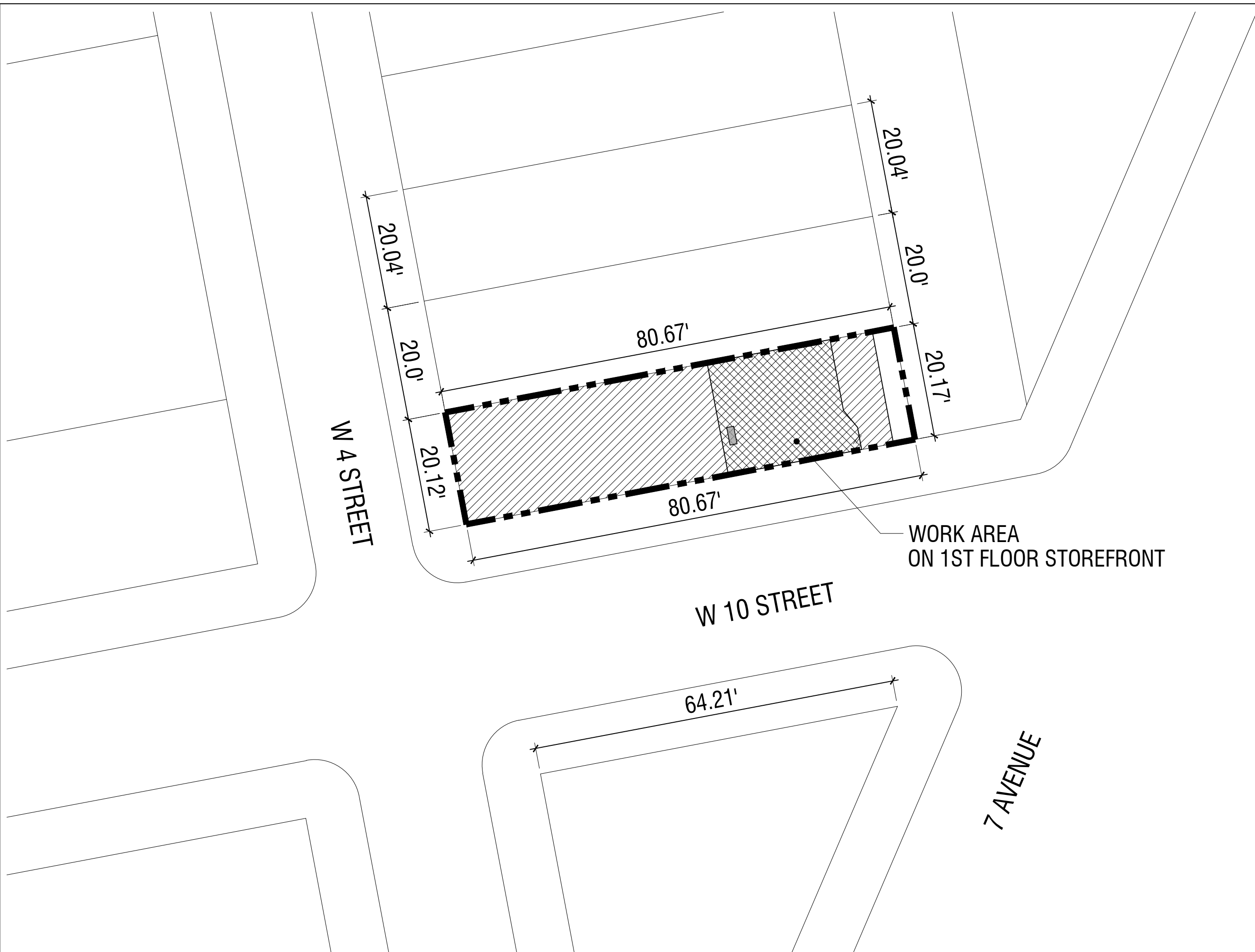
Drawn By:
TL

Reviewed By:
ND

Seal & Signature

Drawing Title:
GREENWICH VILLAGE HISTORIC MAP

LPC-002.00



Architect
NAPHTALI DEUTSCH RA AIA
 NYS LIC. 027303

NAPHTALI DEUTSCH ARCHITECTURE

T. 917.370.7992
 NaphtaliD@gmail.com

420 CENTRAL PARK WEST
 SUITE 6G NY NY 10025

Copyright: All rights reserved. No part of this drawing may be reproduced without the expressed consent of NDA. Infringements of the concepts and design ideas presented on these drawings are forbidden and violators will be prosecuted to the fullest extent permitted by law.
 1. Drawing not to be used for construction purposes unless authorized by Architect.
 2. Drawing not to be scaled.
 3. Contractor to verify all dimensions and conditions before construction and immediately notify Architect of any discrepancies.

Revised

No.	Date	Description
△		
△		
△		
△		

Issued

No.	Date	Description
1	3.2.15	LPC

Project:
WWWY RESTAURANT
 183 W 10 STREET
 NEW YORK, NY 10013

Date:
 5/10/2016

Scale:
 1/2" = 1'-0"

Drawn By:
 TL

Reviewed By:
 ND

Seal & Signature	Drawing Title: SITE PLAN
	LPC-003.00



Architect

NAPHTALI DEUTSCH RA AIA
NYS LIC. 027303

NAPHTALI DEUTSCH ARCHITECTURE

T. 917.370.7992
NaphtaliD@gmail.com

420 CENTRAL PARK WEST
SUITE 6G NY NY 10025

Copyright: All rights reserved. No part of this drawing may be reproduced without the expressed consent of NDA. Infringements of the concepts and design ideas presented on these drawings are forbidden and violators will be prosecuted to the fullest extent permitted by law.
1. Drawing not to be used for construction purposes unless authorized by Architect.
2. Drawing not to be scaled.
3. Contractor to verify all dimensions and conditions before construction and immediately notify Architect of any discrepancies.

Revised

No.	Date	Description
△		
△		
△		
△		

Issued

No.	Date	Description

1 | 3.2.15 | LPC

Project:

WWWY RESTAURANT
183 W 10 STREET
NEW YORK, NY 10013

Date:
5/10/2016

Scale:
AS SHOWN

Drawn By:
TL

Reviewed By:
ND

Seal & Signature

Drawing Title:

OLD 1960'S
STOREFRONT
PHOTO

LPC-004.00



Architect
 NAPHTALI DEUTSCH RA AIA
 NYS LIC. 027303

NAPHTALI DEUTSCH ARCHITECTURE

T. 917.370.7992
 NaphtaliD@gmail.com

420 CENTRAL PARK WEST
 SUITE 6G NY NY 10025

Copyright: All rights reserved. No part of this drawing may be reproduced without the expressed consent of NDA. Infringements of the concepts and design ideas presented on these drawings are forbidden and violators will be prosecuted to the fullest extent permitted by law.
 1. Drawing not to be used for construction purposes unless authorized by Architect.
 2. Drawing not to be scaled.
 3. Contractor to verify all dimensions and conditions before construction and immediately notify Architect of any discrepancies.

Revised

No.	Date	Description
△		
△		
△		
△		

Issued

No.	Date	Description

1 | 3.2.15 | LPC

Project:
WWWY RESTAURANT
 183 W 10 STREET
 NEW YORK, NY 10013

Date: 5/10/2016
 Scale: AS SHOWN

Drawn By: TL
 Reviewed By: ND

Seal & Signature
 Drawing Title:
EXISTING BUILDING ELEVATION

LPC-005.00

FRONT ELEVATION VIEW FROM W 10 STREET



Architect
 NAPHTALI DEUTSCH RA AIA
 NYS LIC. 027303

NAPHTALI DEUTSCH ARCHITECTURE

T. 917.370.7992
 NaphtaliD@gmail.com
 420 CENTRAL PARK WEST
 SUITE 6G NY NY 10025

Copyright: All rights reserved. No part of this drawing may be reproduced without the expressed consent of NDA. Infringements of the concepts and design ideas presented on these drawings are forbidden and violators will be prosecuted to the fullest extent permitted by law.
 1. Drawing not to be used for construction purposes unless authorized by Architect.
 2. Drawing not to be scaled.
 3. Contractor to verify all dimensions and conditions before construction and immediately notify Architect of any discrepancies.

Revised

No.	Date	Description
△		
△		
△		
△		

Issued

No.	Date	Description

1 | 3.2.15 | LPC

Project:
WWWY RESTAURANT
 183 W 10 STREET
 NEW YORK, NY 10013

Date: 5/10/2016
 Scale: AS SHOWN

Drawn By: TL
 Reviewed By: ND

Seal & Signature
 Drawing Title:
EXISTING STOREFRONT PHOTOS

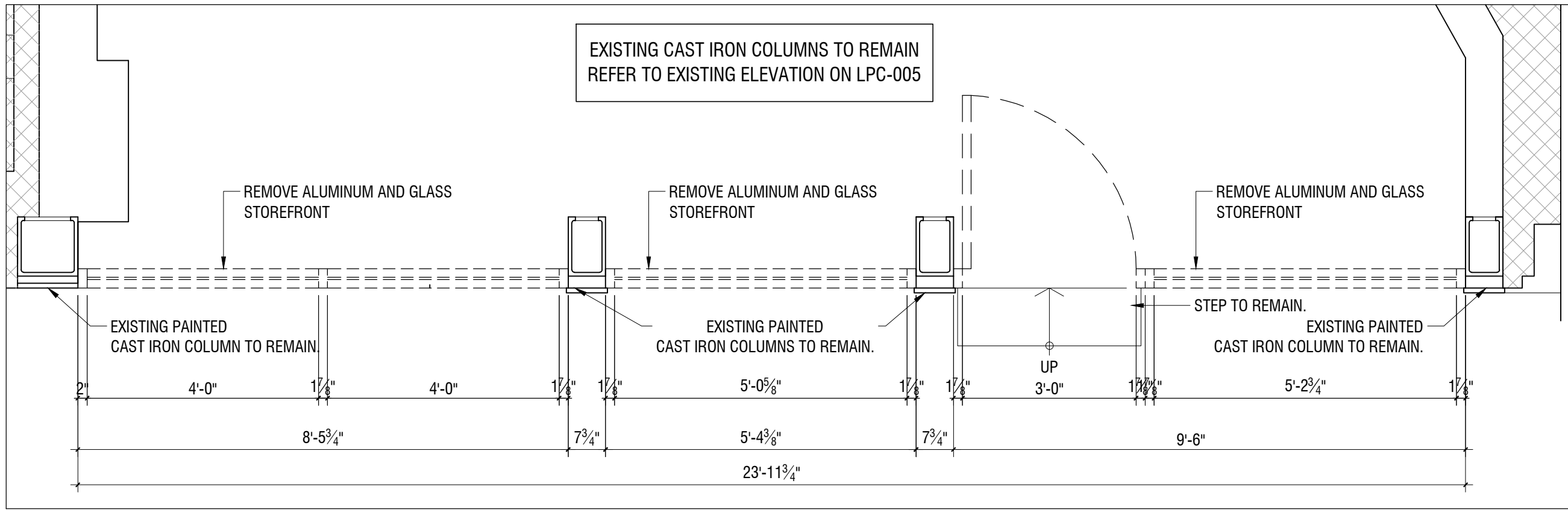
LPC-006.00



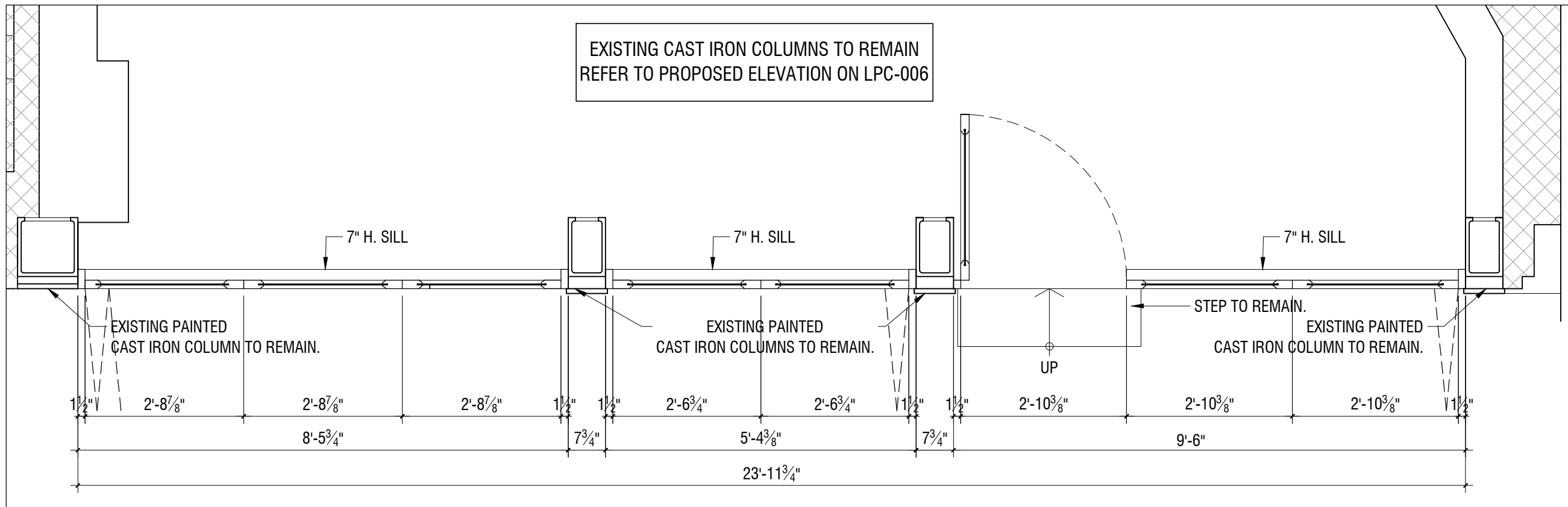
LEFT ELEVATION VIEW FROM W 10 STREET



RIGHT ELEVATION VIEW FROM W 10 STREET



1 STOREFRONT DEMOLITION PLAN



2 STOREFRONT CONSTRUCTION PLAN

Architect
NAPHTALI DEUTSCH RA AIA
 NYS LIC. 027303

NAPHTALI DEUTSCH ARCHITECTURE

T. 917.370.7992
 NaphtaliD@gmail.com

420 CENTRAL PARK WEST
 SUITE 6G NY NY 10025

Copyright: All rights reserved. No part of this drawing may be reproduced without the expressed consent of NDA. Infringements of the concepts and design ideas presented on these drawings are forbidden and violators will be prosecuted to the fullest extent permitted by law.
 1. Drawing not to be used for construction purposes unless authorized by Architect.
 2. Drawing not to be scaled.
 3. Contractor to verify all dimensions and conditions before construction and immediately notify Architect of any discrepancies.

Revised		
No.	Date	Description
△		
△		
△		
△		
Issued		
No.	Date	Description
1	3.2.15	LPC
Project:		
WWWY RESTAURANT		
183 W 10 STREET		
NEW YORK, NY 10013		
Date:	Scale:	
5/10/2016	1/2" = 1'-0"	
Drawn By:	Reviewed By:	
TL	ND	
Seal & Signature	Drawing Title:	
	STOREFRONT DEMOLITION AND CONSTRUCTION PLAN	
	LPC-007.00	

Architect

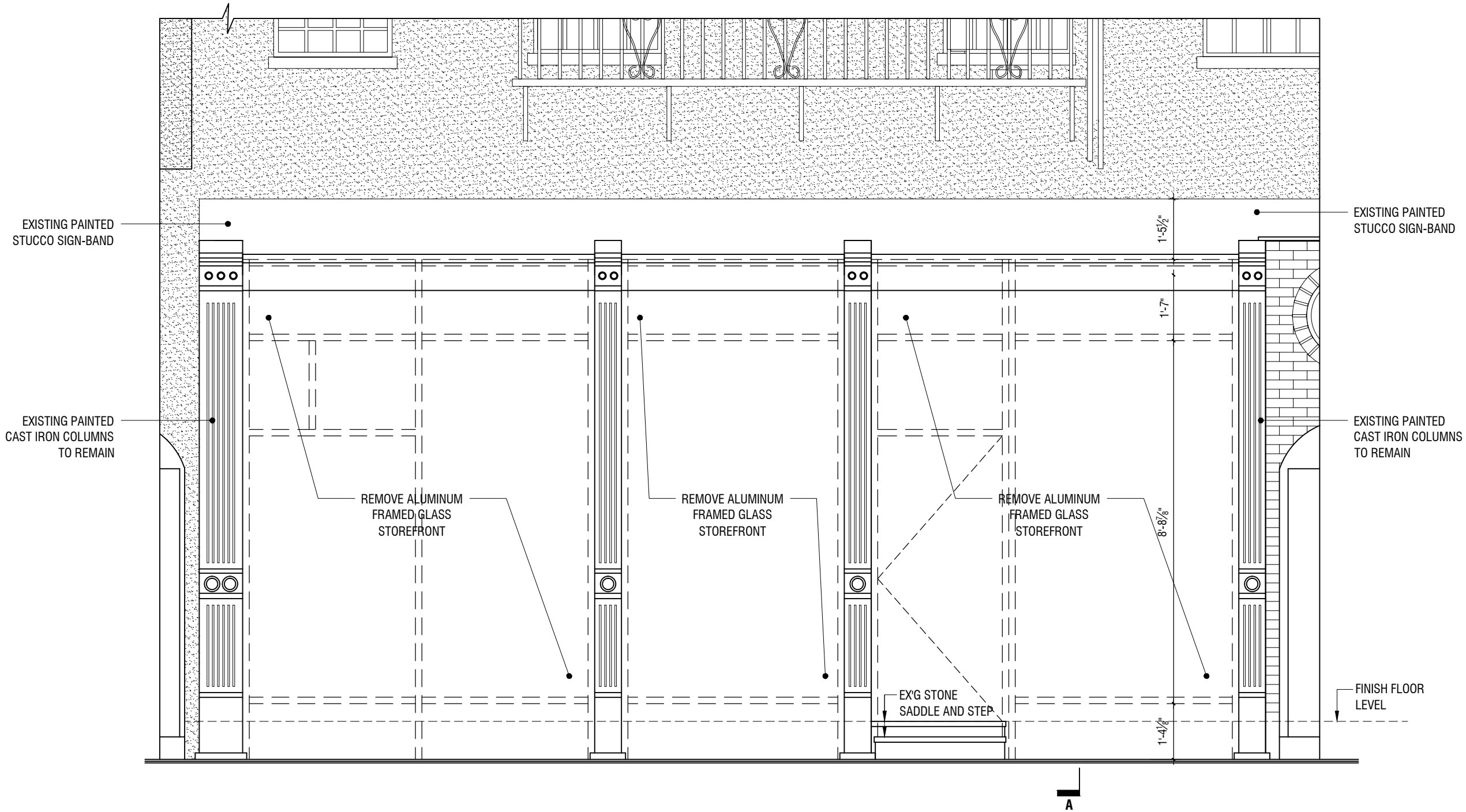
NAPHTALI DEUTSCH RA AIA
NYS LIC. 027303

NAPHTALI DEUTSCH ARCHITECTURE

T. 917.370.7992
NaphthalID@gmail.com

420 CENTRAL PARK WEST
SUITE 6G NY NY 10025

Copyright: All rights reserved. No part of this drawing may be reproduced without the expressed consent of NDA. Infringements of the concepts and design ideas presented on these drawings are forbidden and violators will be prosecuted to the fullest extent permitted by law.
1. Drawing not to be used for construction purposes unless authorized by Architect.
2. Drawing not to be scaled.
3. Contractor to verify all dimensions and conditions before construction and immediately notify Architect of any discrepancies.



Revised

No.	Date	Description
△		
△		
△		
△		

Issued

No.	Date	Description

1 3.2.15 LPC

Project:

WWVY RESTAURANT
183 W 10 STREET
NEW YORK, NY 10013

Date:
5/10/2016

Scale:
3/8" = 1'-0"

Drawn By:
TL

Reviewed By:
ND

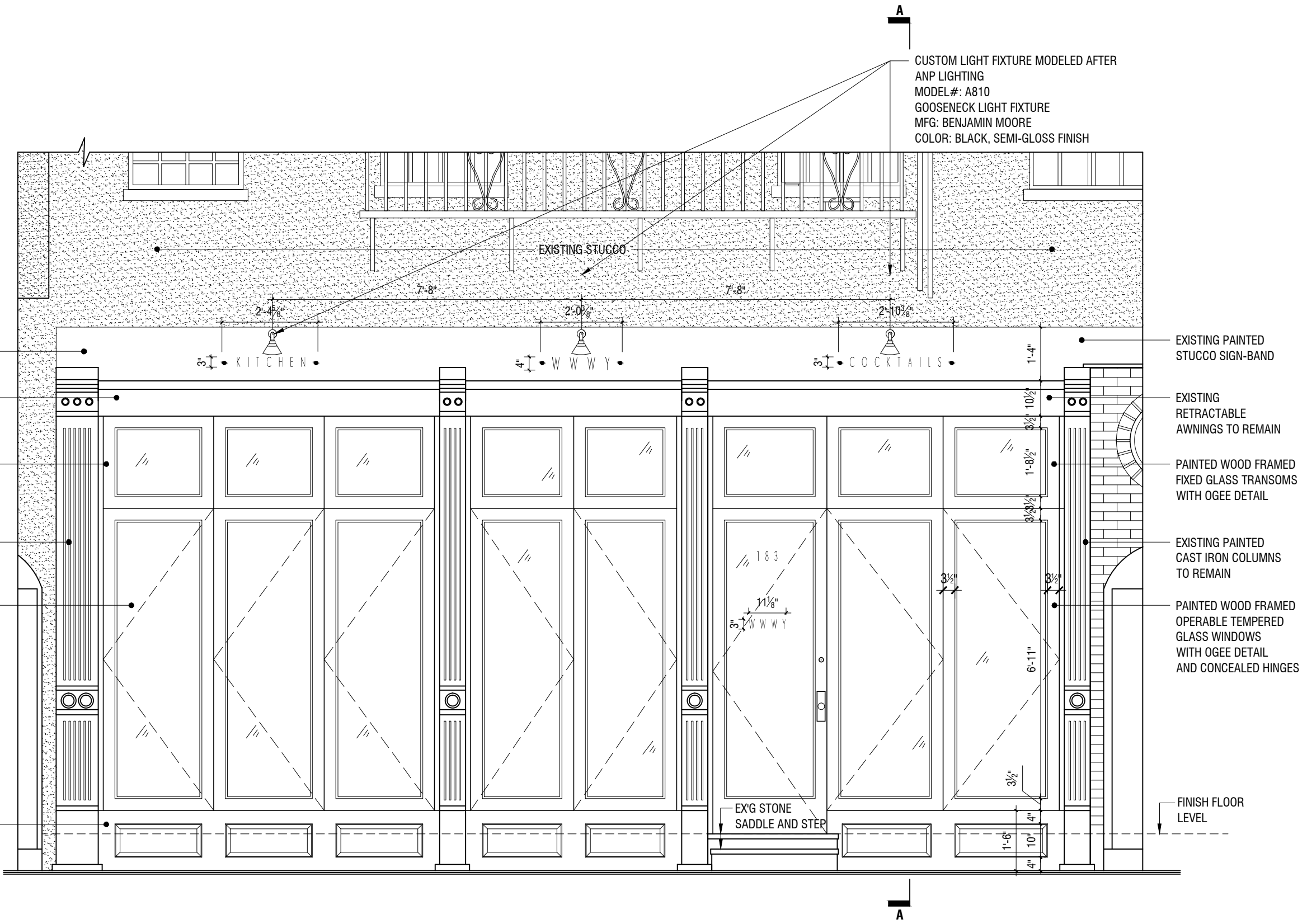
Seal & Signature

Drawing Title:

EXISTING
ELEVATION

LPC-008.00

Copyright: All rights reserved. No part of this drawing may be reproduced without the expressed consent of NDA. Infringements of the concepts and design ideas presented on these drawings are forbidden and violators will be prosecuted to the fullest extent permitted by law.
 1. Drawing not to be used for construction purposes unless authorized by Architect.
 2. Drawing not to be scaled.
 3. Contractor to verify all dimensions and conditions before construction and immediately notify Architect of any discrepancies.



HC-156
VAN DEUSEN BLUE

NOTE:
 CAST IRON COLUMNS, STOREFRONT, RECESSED PANELS AND SIGN-BAND
 PAINTED DARK BLUE.
 MFG: BENJAMIN MOORE
 COLOR: HC-156 VAN DEUSEN BLUE

Revised		
No.	Date	Description
△		
△		
△		
△		

Issued		
No.	Date	Description

1 | 3.2.15 | LPC

Project:
WWWY RESTAURANT
 183 W 10 STREET
 NEW YORK, NY 10013

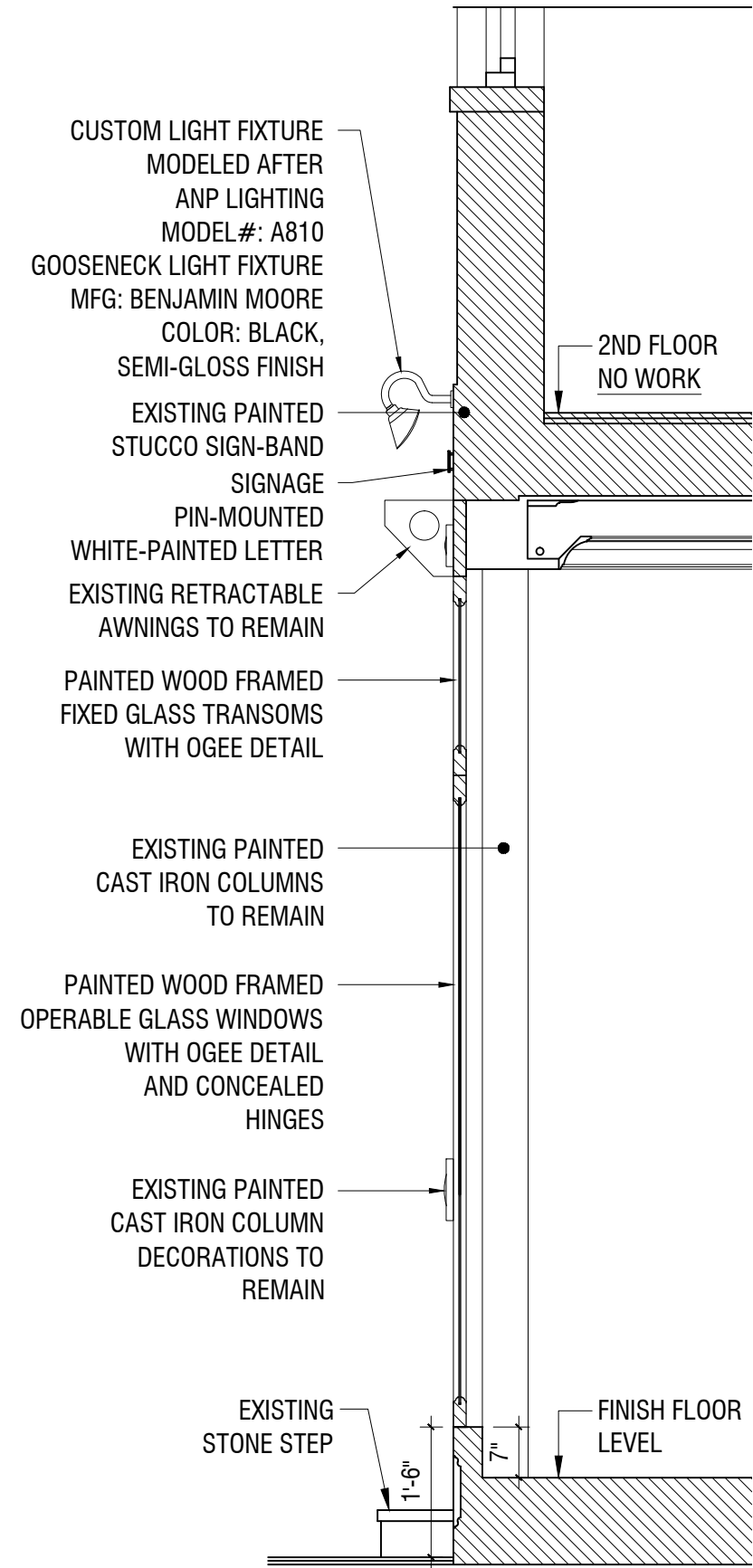
Date: 5/10/2016
 Scale: 3/8" = 1'-0"

Drawn By: TL
 Reviewed By: ND

Seal & Signature
 Drawing Title:
PROPOSED ELEVATION

LPC-009.00

Copyright: All rights reserved. No part of this drawing may be reproduced without the expressed consent of NDA. Infringements of the concepts and design ideas presented on these drawings are forbidden and violators will be prosecuted to the fullest extent permitted by law.
 1. Drawing not to be used for construction purposes unless authorized by Architect.
 2. Drawing not to be scaled.
 3. Contractor to verify all dimensions and conditions before construction and immediately notify Architect of any discrepancies.



SECTION A-A

Revised		
No.	Date	Description
△		
△		
△		
△		

Issued		
No.	Date	Description

1 | 3.2.15 | LPC

Project:
WWWY RESTAURANT
 183 W 10 STREET
 NEW YORK, NY 10013

Date: 5/10/2016
 Scale: 1/2 = 1'-0"

Drawn By: TL
 Reviewed By: ND

Seal & Signature
 Drawing Title:
PROPOSED SECTION

LPC-010.00