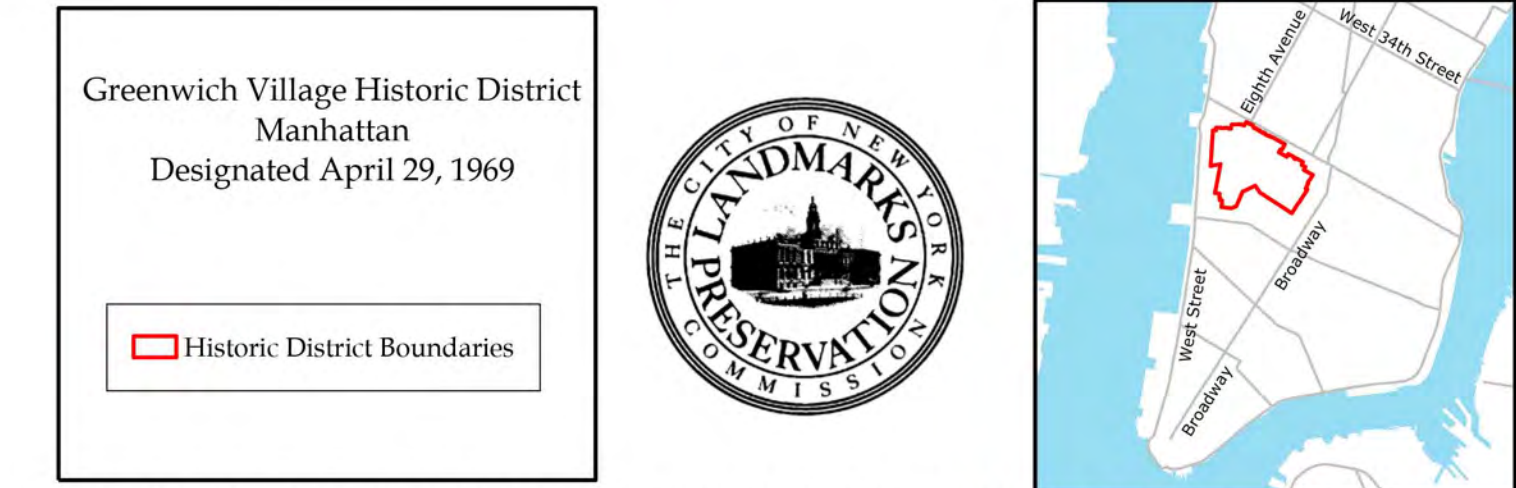




AREA OF WORK EXISTING METAL
FRAMED ENCLOSURE.



SITE LOCATION



GREENWICH VILLAGE HISTORIC DISTRICT



33 GREENWICH AVENUE



1



2



3



KEY MAP



4



5



6

EXISTING CONDITIONS (BUILDING)

33 GREENWICH AVENUE, NEW YORK, NEW YORK



7



8



9



KEY MAP



10



11



12



EXISTING CONDITIONS (ENCLOSURE CLOSE UP)

33 GREENWICH AVENUE, NEW YORK, NEW YORK



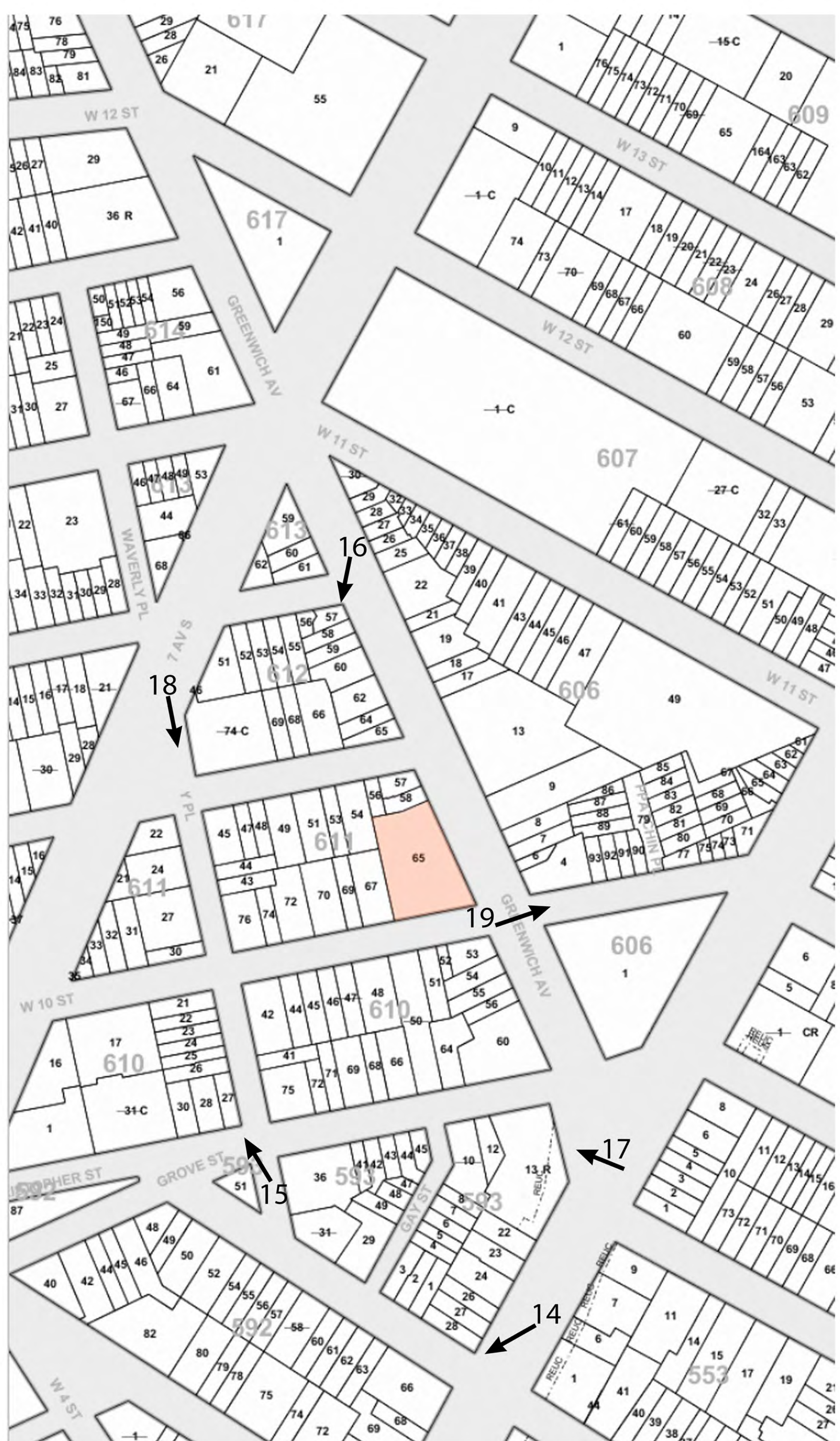
14



15



16



KEY MAP



17



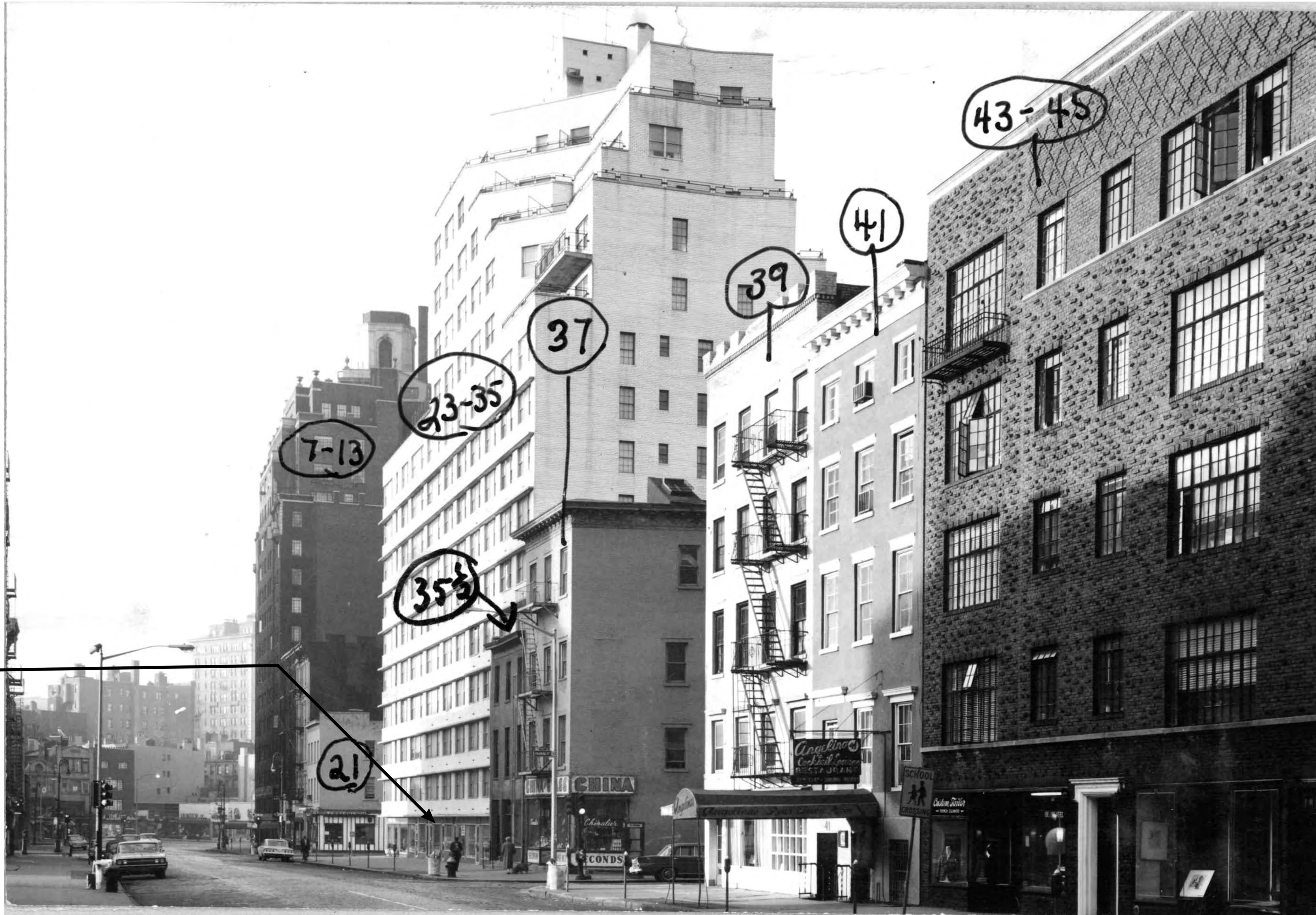
18



19

HISTORIC DISTRICT CONTEXT

33 GREENWICH AVENUE, NEW YORK, NEW YORK



NO ENCLOSURE AT
TIME OF
DESIGNATION.

33 Greenwich Avenue in 2014

HISTORIC PHOTOS (DESIGNATION PHOTO)

33 GREENWICH AVENUE, NEW YORK, NEW YORK



2009 HISTORIC PHOTOGRAPH SHOWING PREVIOUS METAL FRAMED ENCLOSURE. THIS ENCLOSURE WAS APPROVED BY THE COMMISSIONERS AT A PUBLIC HEARING IN 1985. THIS ENCLOSURE WAS REMOVED AND REPLACED IN 2013 PERSUANT TO A NEW APPROVAL BY THE COMMISSIONERS DURING A PUBLIC HEARING IN 2013.

33 Greenwich Aveune in 2009

2013 HISTORIC PHOTOGRAPH SHOWING EXISTING METAL FRAMED ENCLOSURE. THIS ENCLOSURE WAS APPROVED BY THE COMMISSIONERS AT A PUBLIC HEARING IN 2013. EXISTING ENCLOSURE TO REMAIN. THIS APPLICATION SEEKD TO MODIFY THE EXISTING ENCLOSURE AS FOLLOWS.

- ADD NEW ROOFTOP PLANTERS
- CHANGE COLOR OF METAL STOREFRONT FRAMONG TO BLACK.
- REPLACE EXISTING GLASS DOORS WITH WOODEN DOORS.
- INSTALL NEW RETRACTABLE AWNINGS
- ADD 4 NEW LIGHT FIXTURES.
- INSTALL NEW METAL CANPOY ABOVE DOORS.



33 Greenwich Aveune in 2014



EXISTING ELEVATION

EXISTING METAL FRAMED
GLASS EXPOSURE

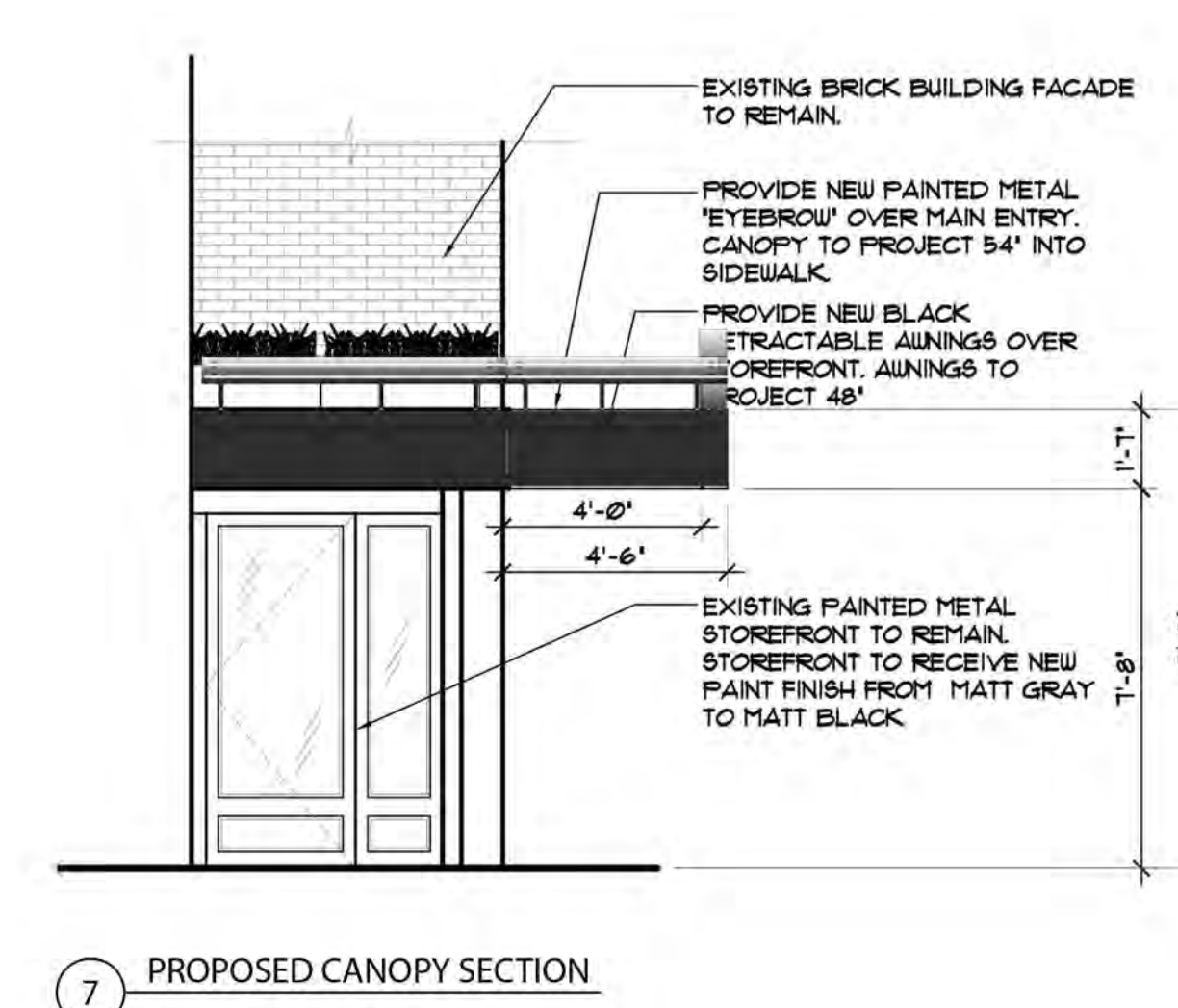
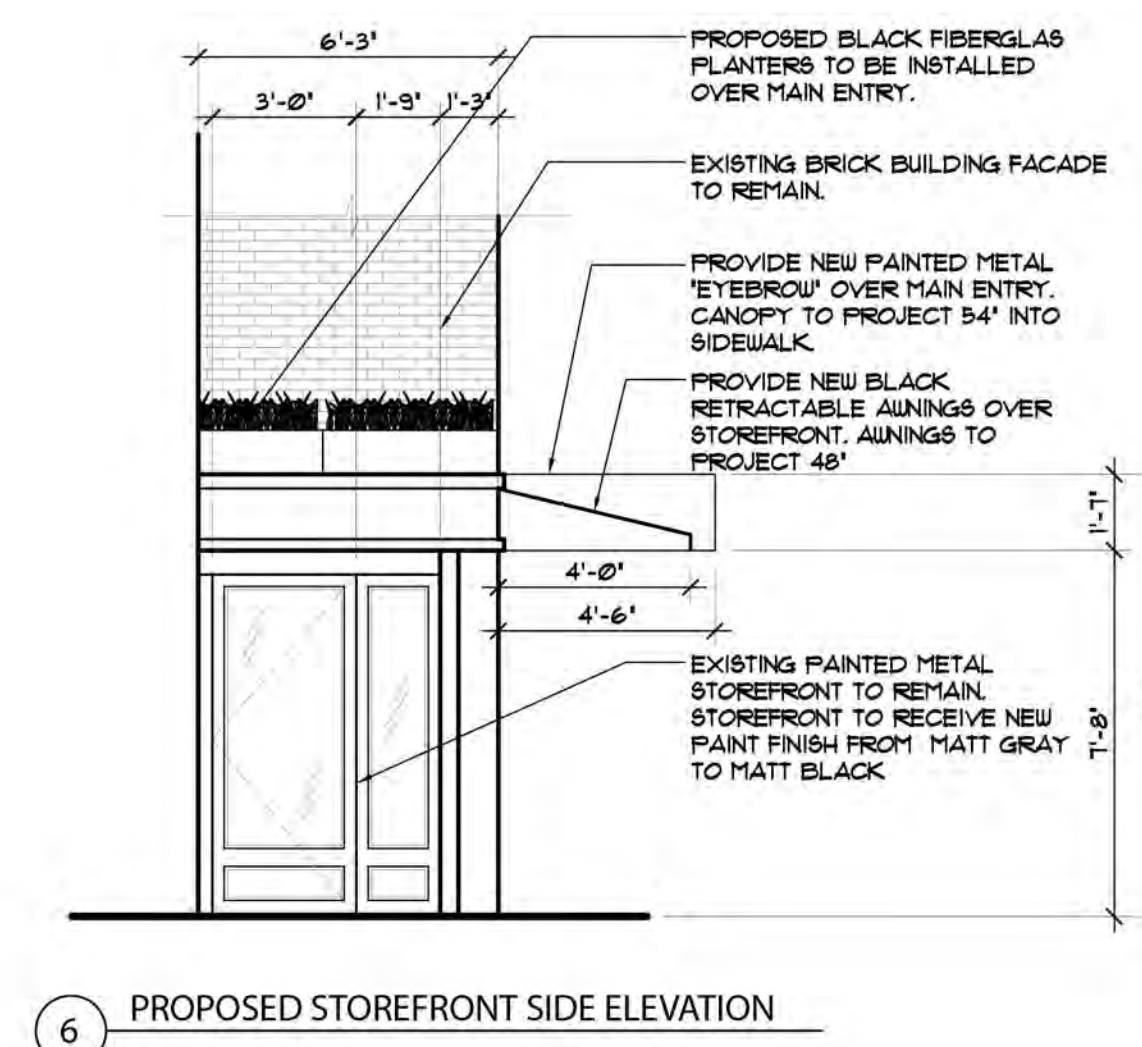
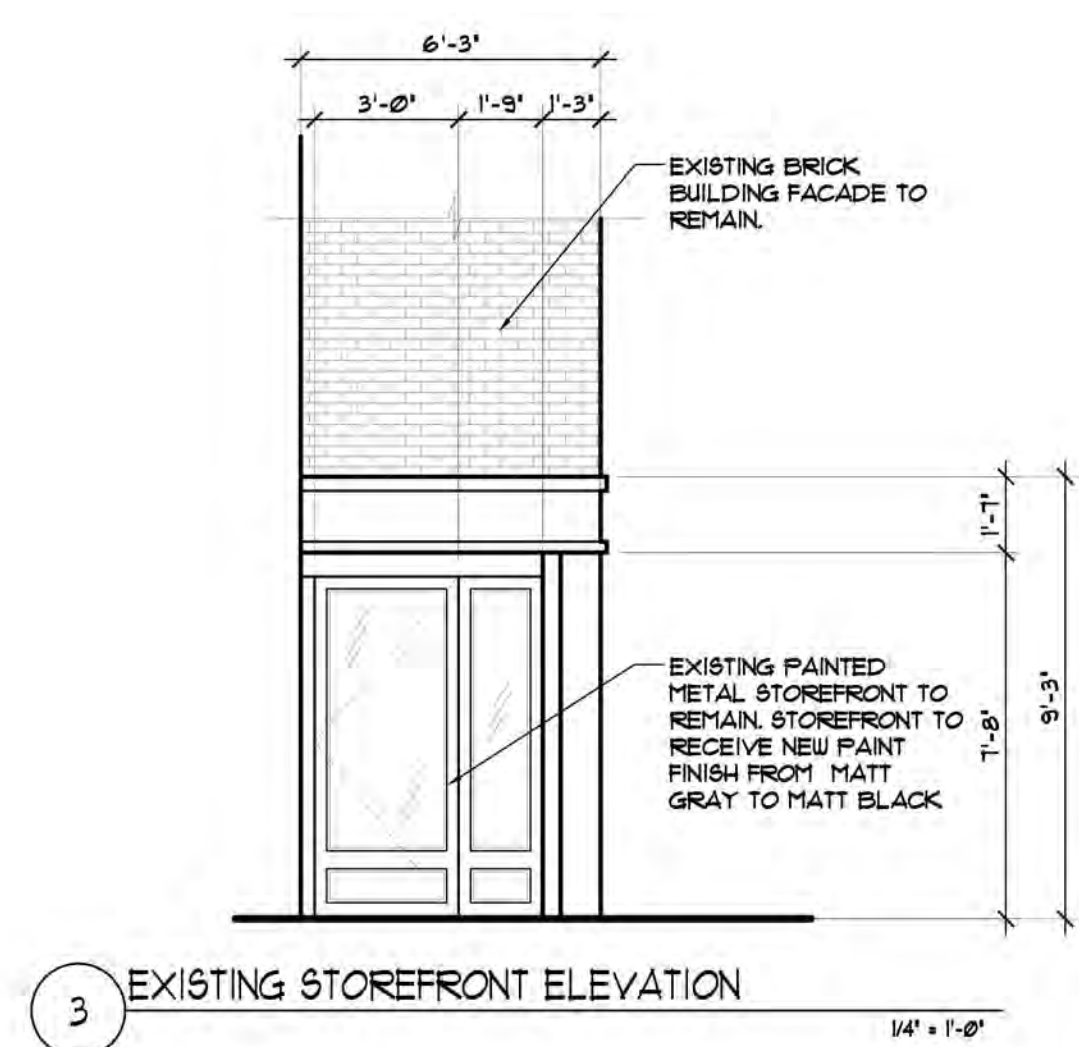
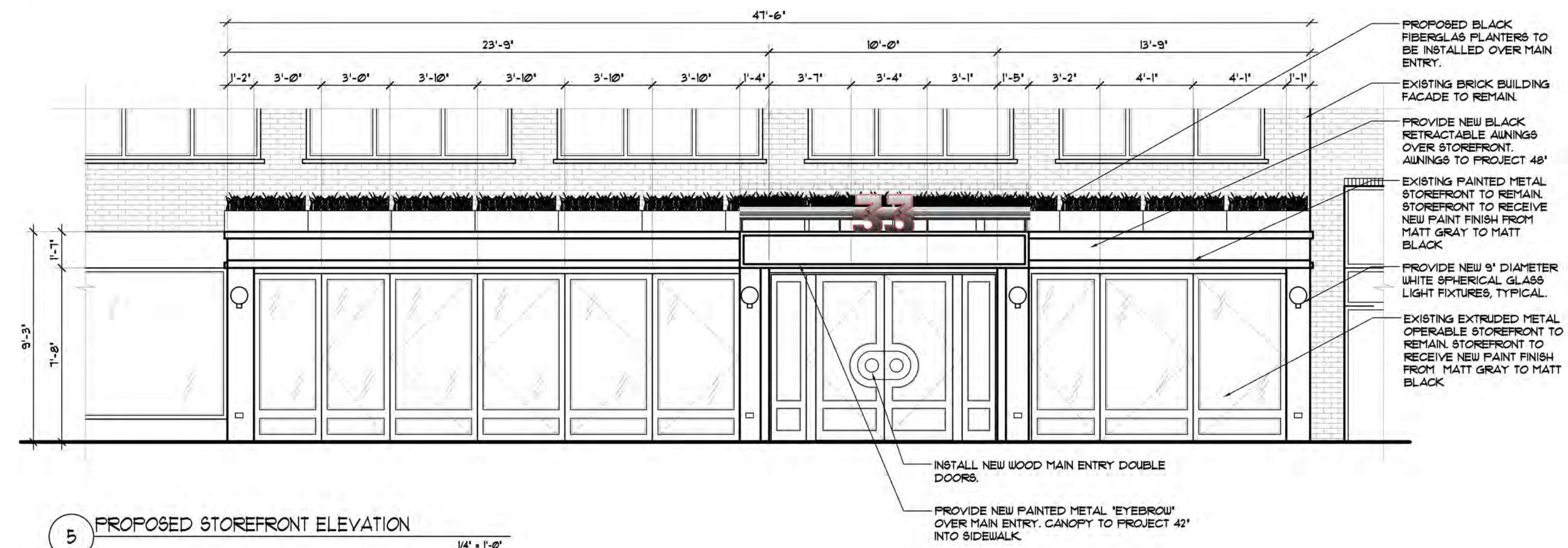
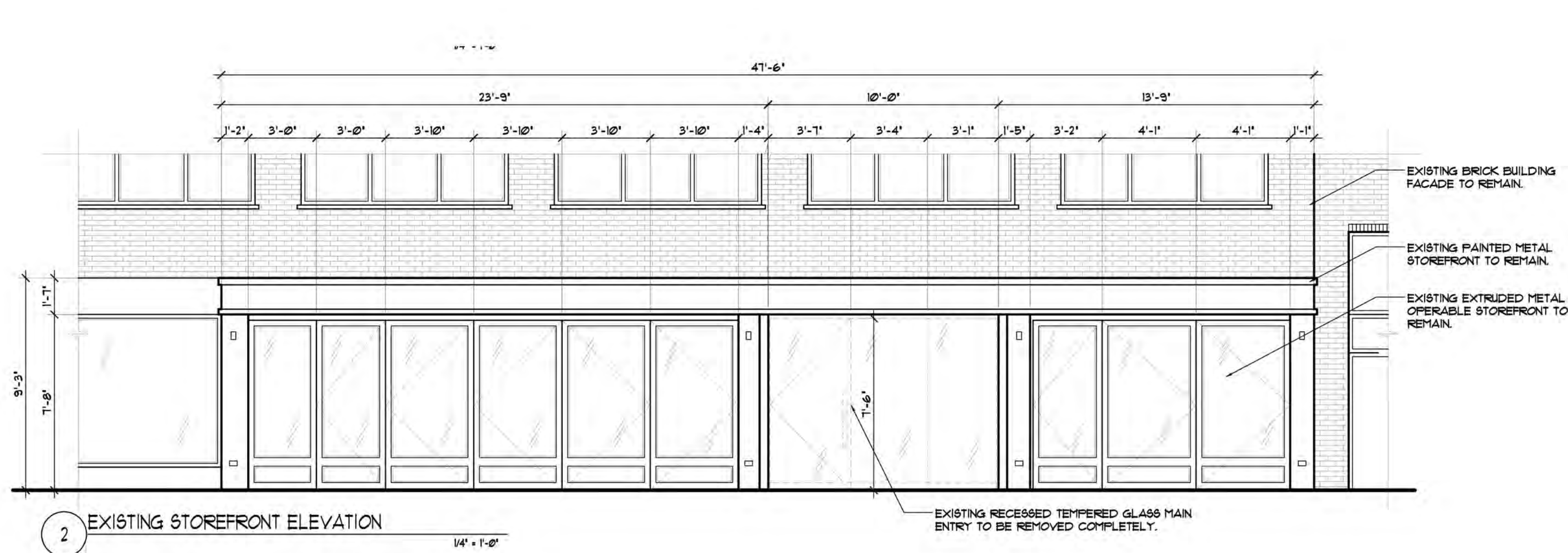
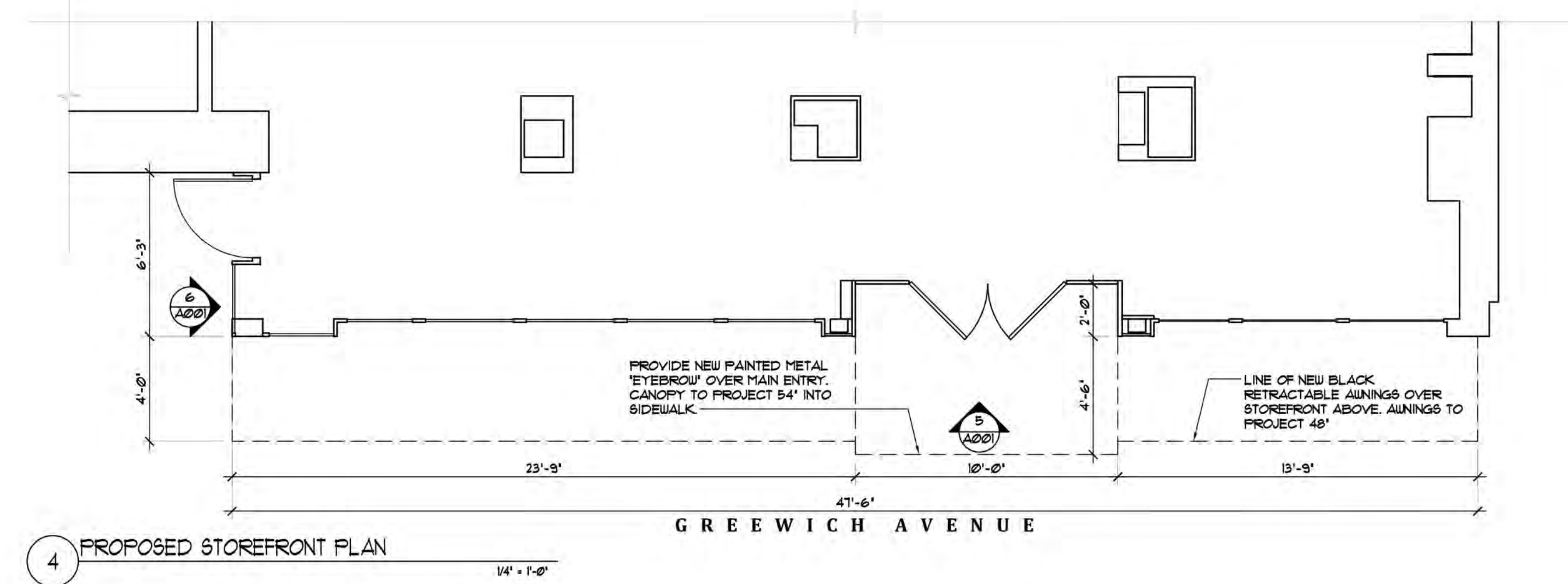
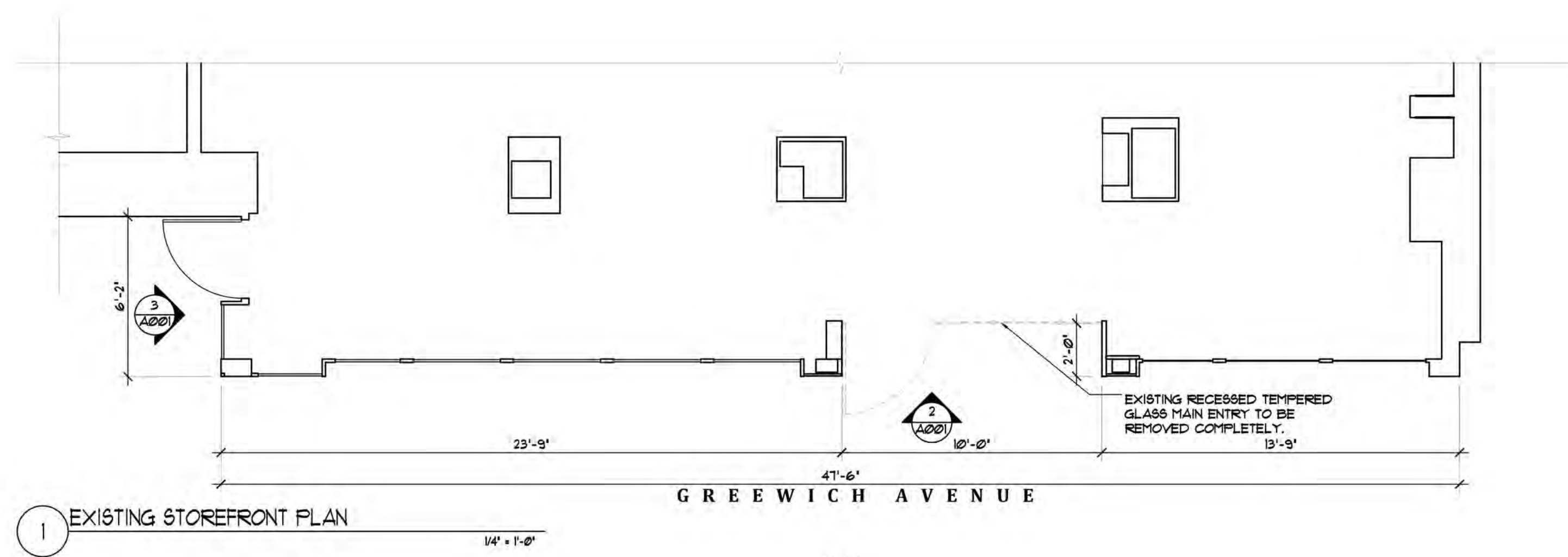


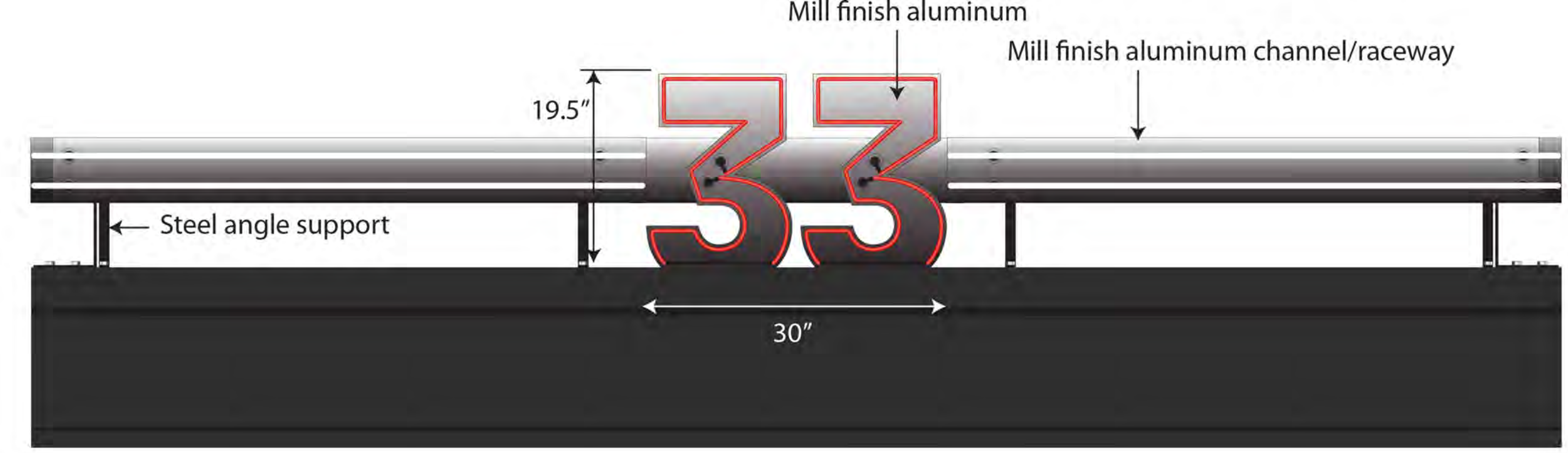
PROPOSED ELEVATION

PROPOSED METAL FRAMED
GLASS EXPOSURE

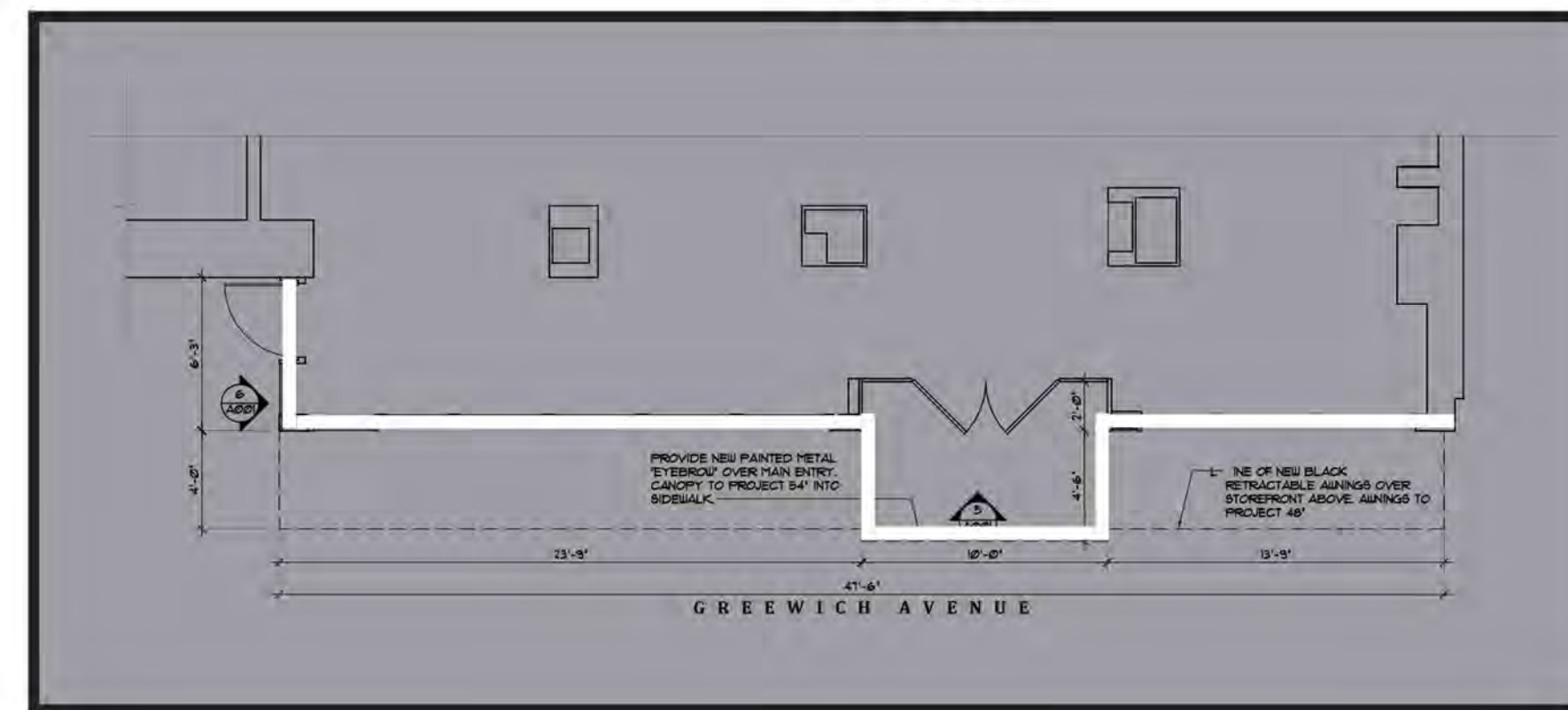
EXISTING AND PROPOSED ELEVATIONS

33 GREENWICH AVENUE, NEW YORK, NEW YORK

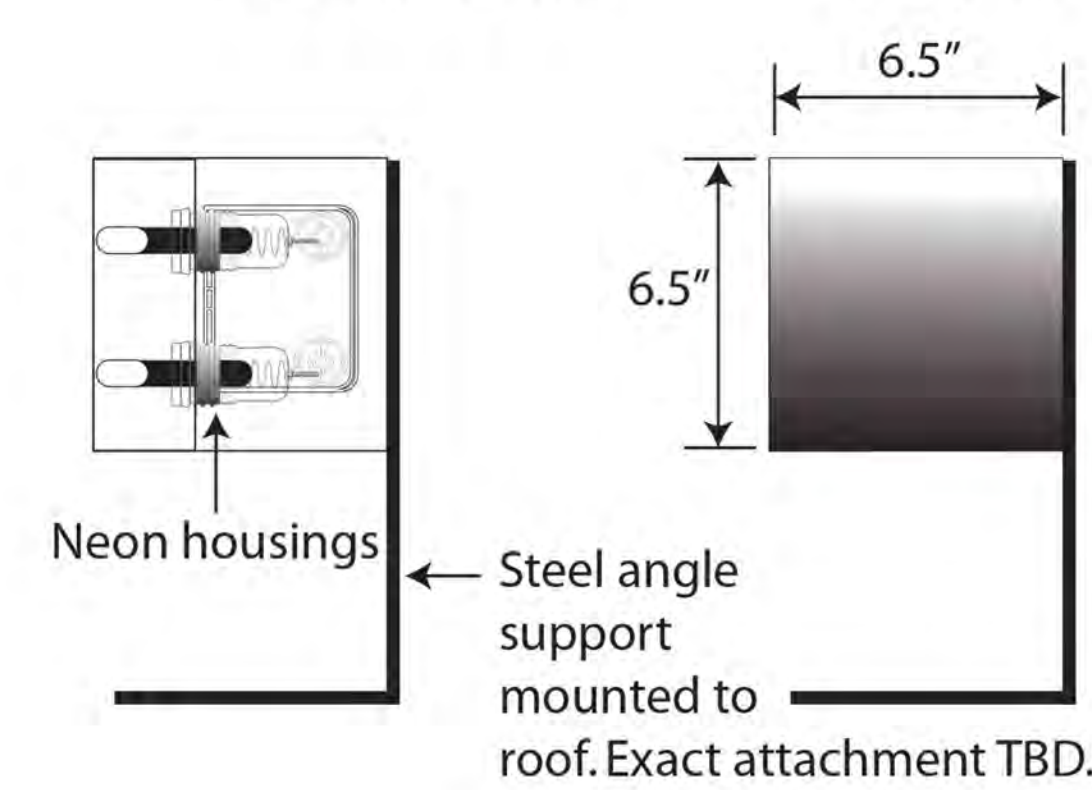




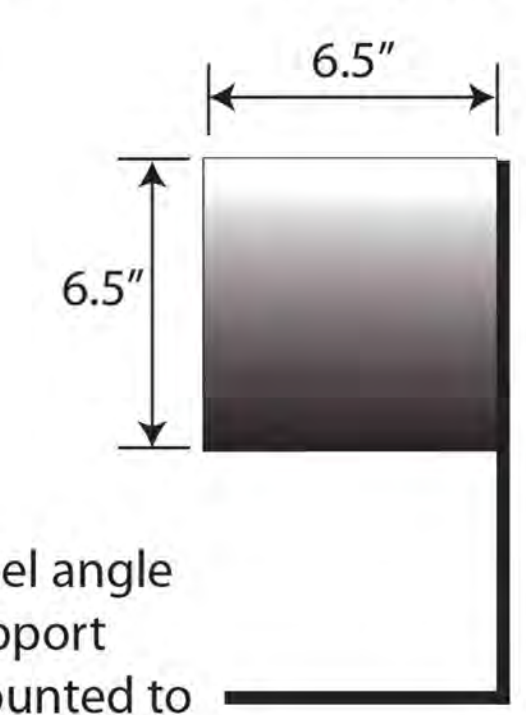
Plan View



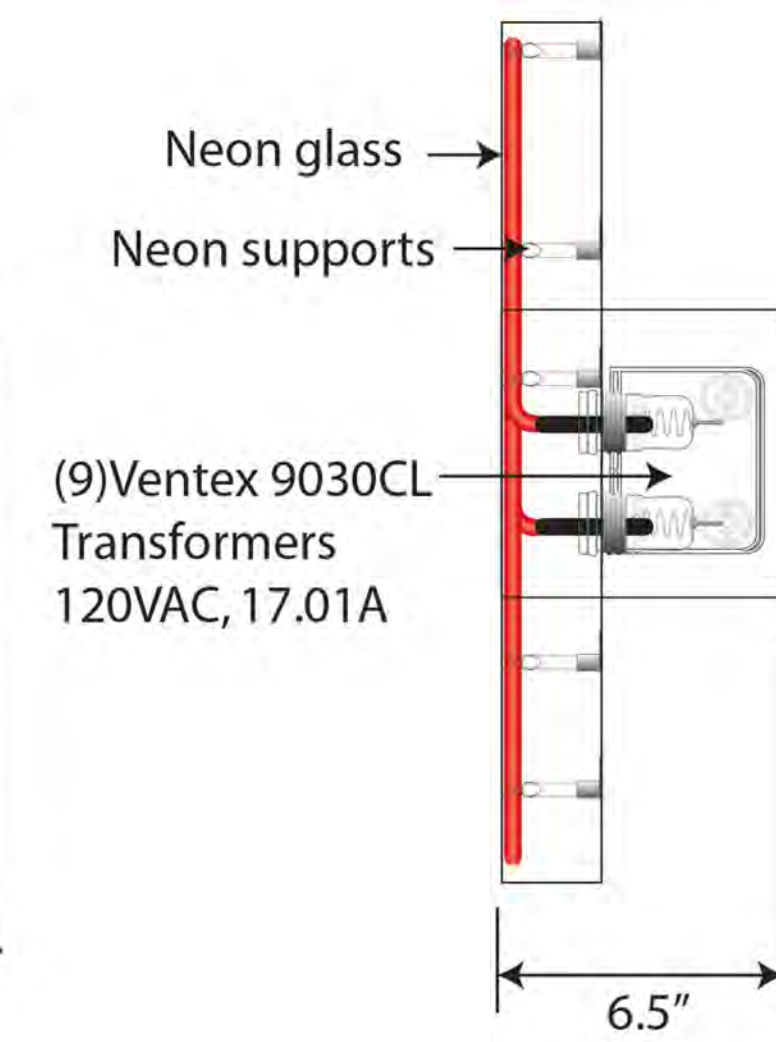
Side Section View



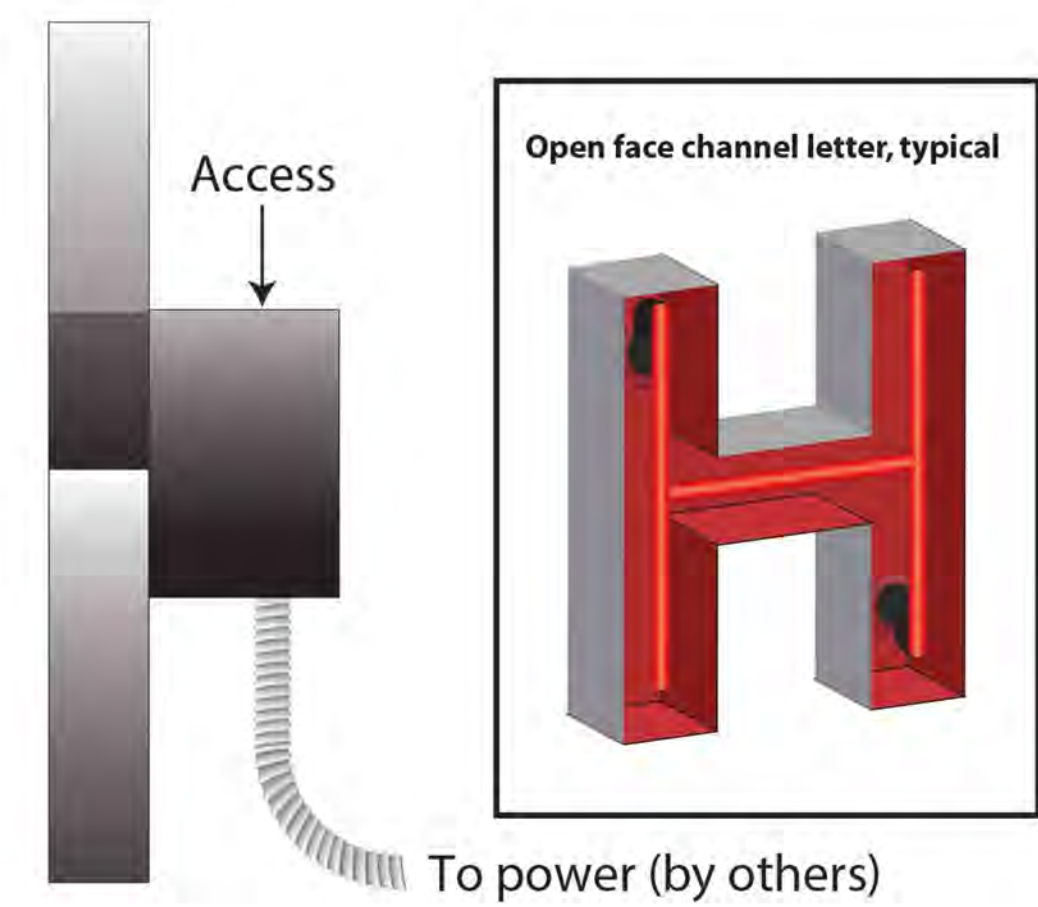
Side View



Side Section View



Side View





PROVIDE NEW PLANTERS ON ROOF. PLANTERS TO BE MECHANICALLY FASTENED TO ROOF.

NEW METAL CANOPY ABOVE NEW DOORS SEE DETAILS.

NEW RETRACTABLE AWNINGS. AWNINGS TO BE FABRICATED IN BLACK CANVAS.

NEW WHITE GLOBE EXTERIOR LIGHT FIXTURES.

EXISTING METAL STOREFRONT FRAMING TO RECEIVE MATTE BLACK PAINT FINISH.

PROPOSED ELEVATION

PROPOSED RENDERING

33 GREENWICH AVENUE, NEW YORK, NEW YORK



PROPOSED STOREFRONT

33 GREENWICH AVENUE, NEW YORK, NEW YORK