

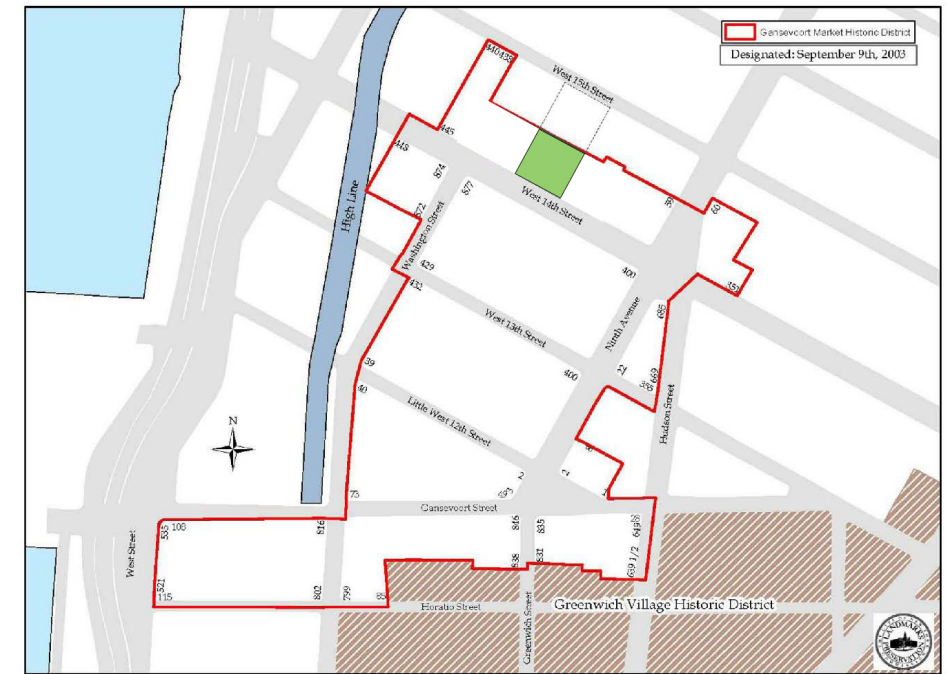
TPG Architecture



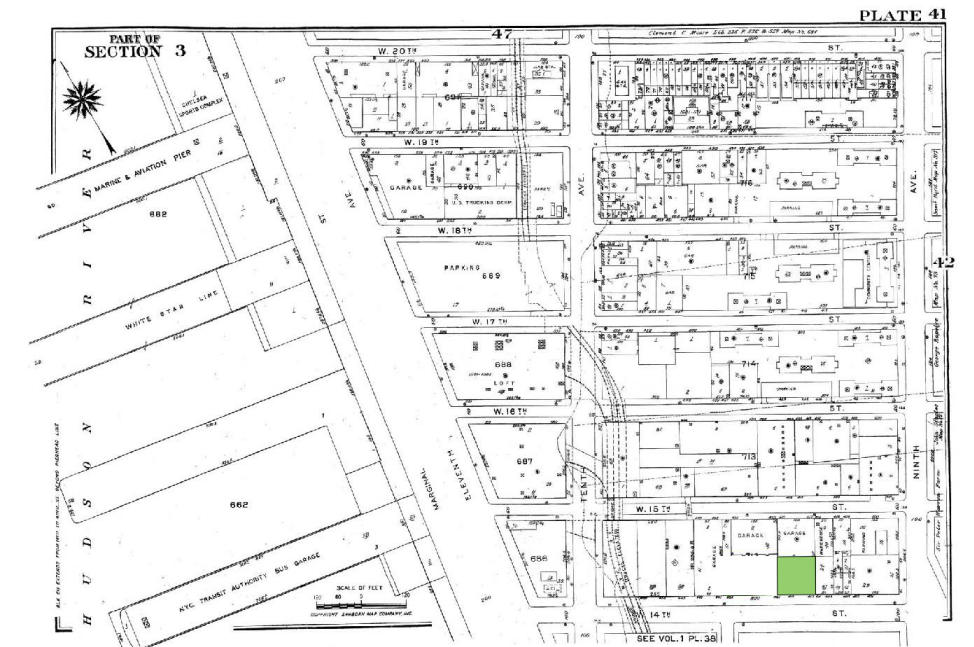
ARGO GROUP

ARGO GROUP
413 WEST 14TH STREET
NEW YORK, NY

AUGUST 15, 2017
1516876-00



GANSEVOORT MARKET HISTORIC DISTRICT

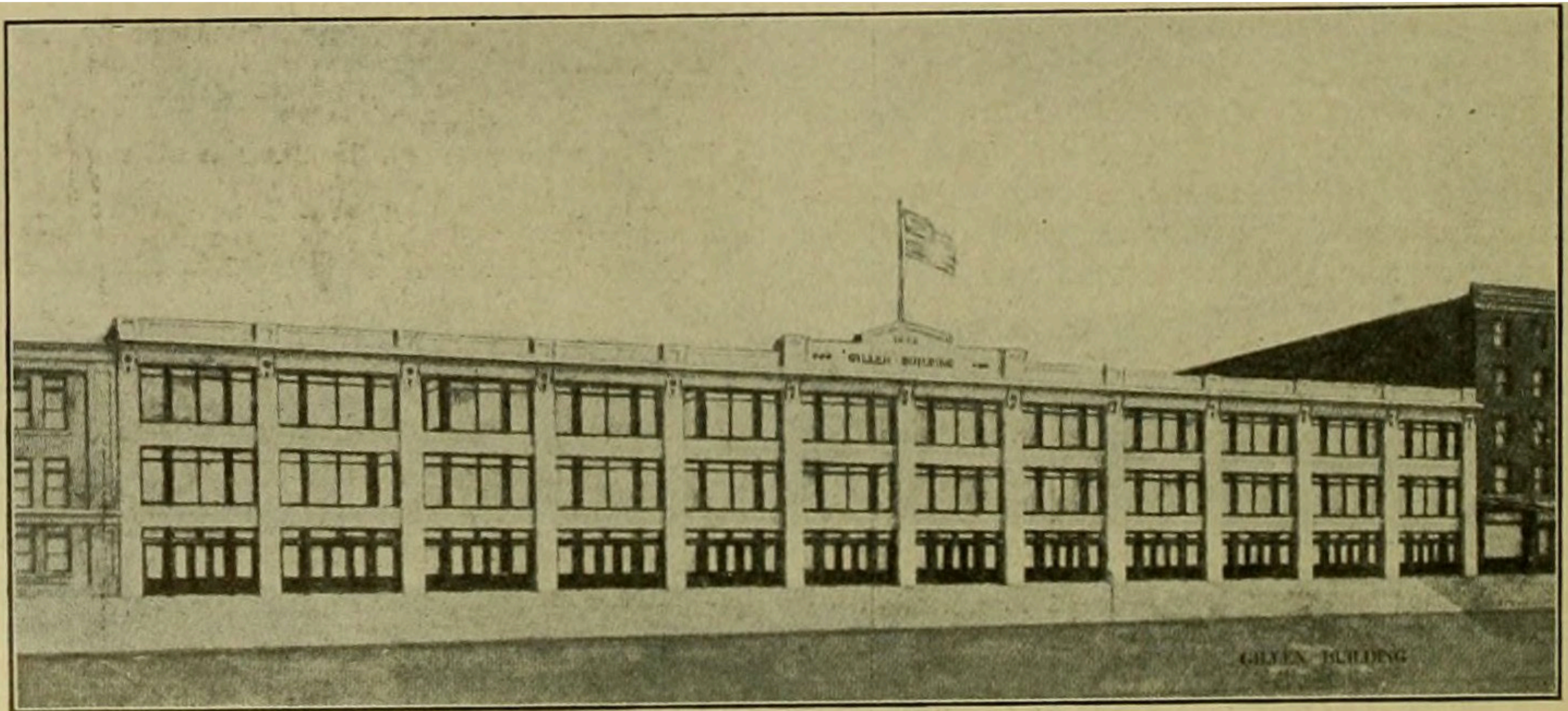


413 WEST 14TH ST





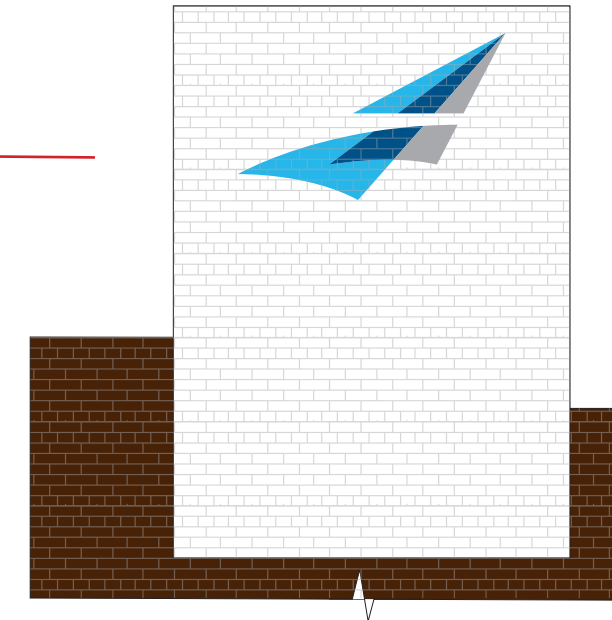




THE GILLEN BUILDING, FOR MARKET MEN, IN WEST 14TH STREET, NEAR WEST WASHINGTON MARKET. Jas. S. Maher, Architect.







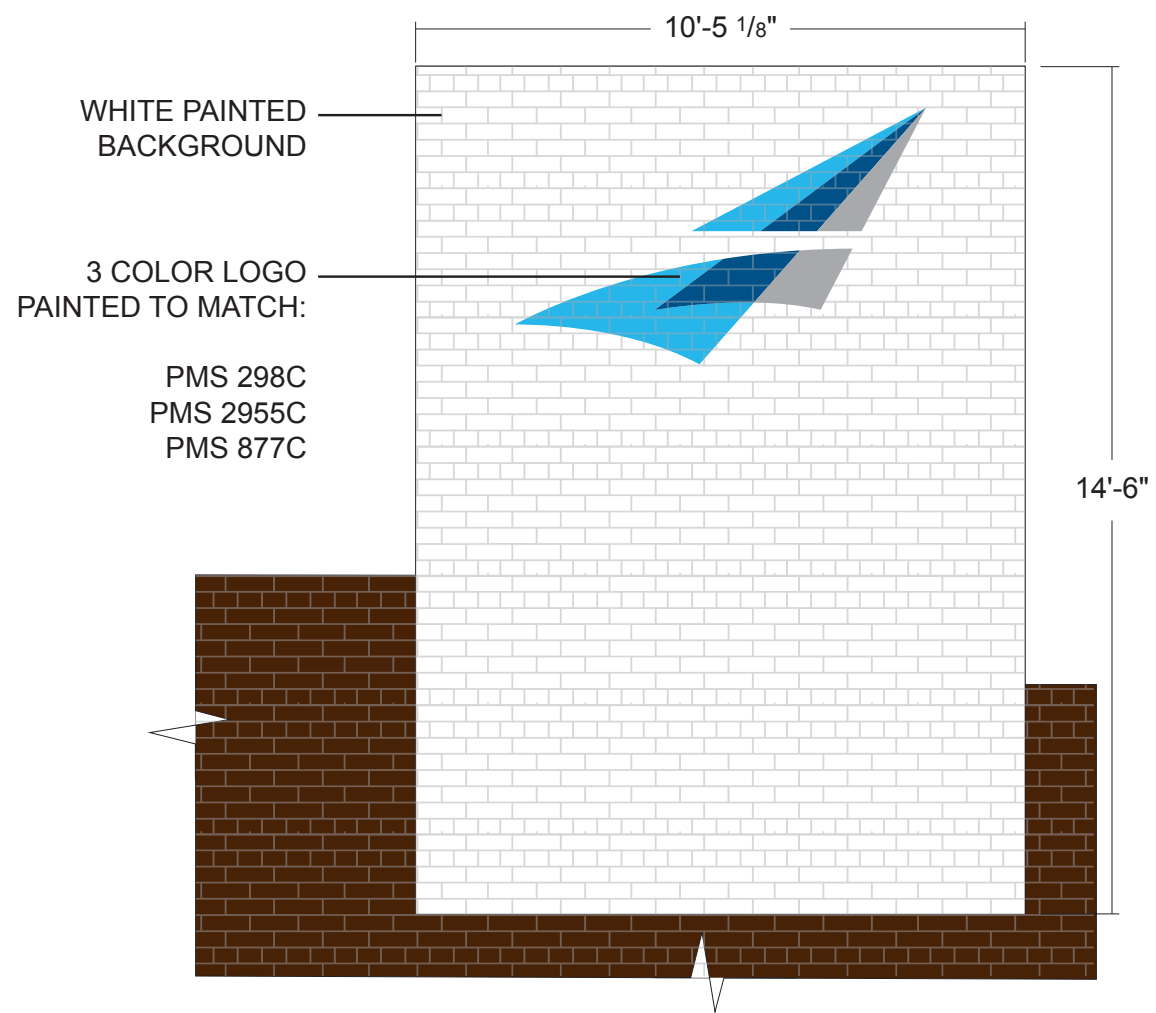
BULKHEAD PAINTED WALL SIGN



FACADE PARAPET SIGN



CANOPY BLADE SIGN



WASHINGTON STREET AND LITTLE WEST 12TH STREET, 1929 (NYPL)



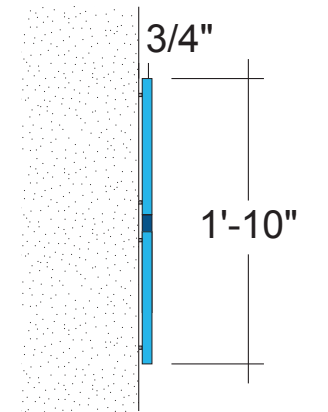
55 GANSEVOORT STREET



22 LITTLE WEST 12TH STREET



27 NINTH AVENUE



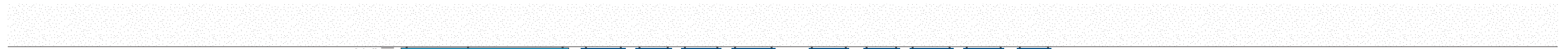
SIDE ELEVATION ENLARGEMENT



FRONT ELEVATION

PROPOSED DIMENSIONAL LETTERS

EXISTING STUCCO-COATED PARAPET

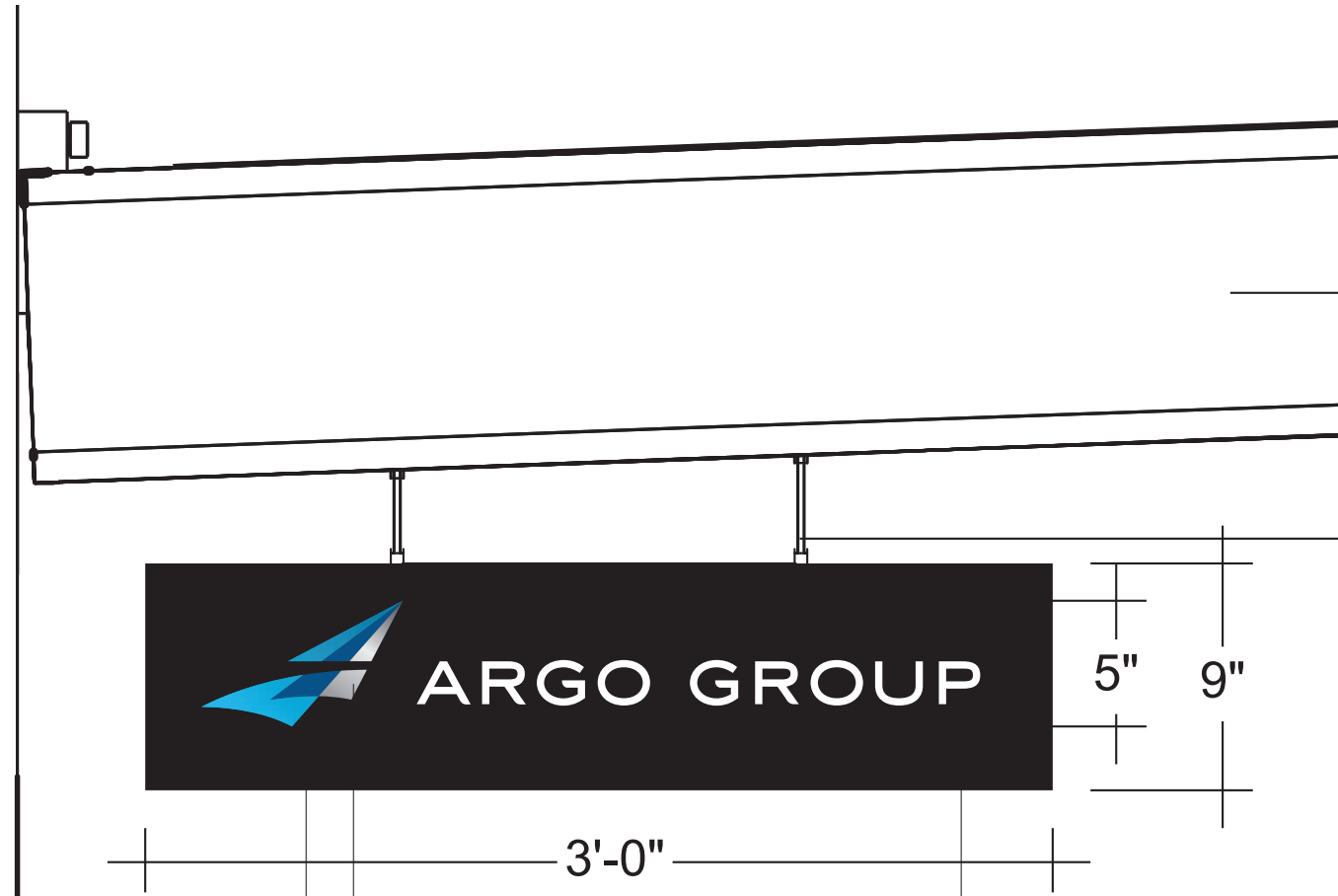
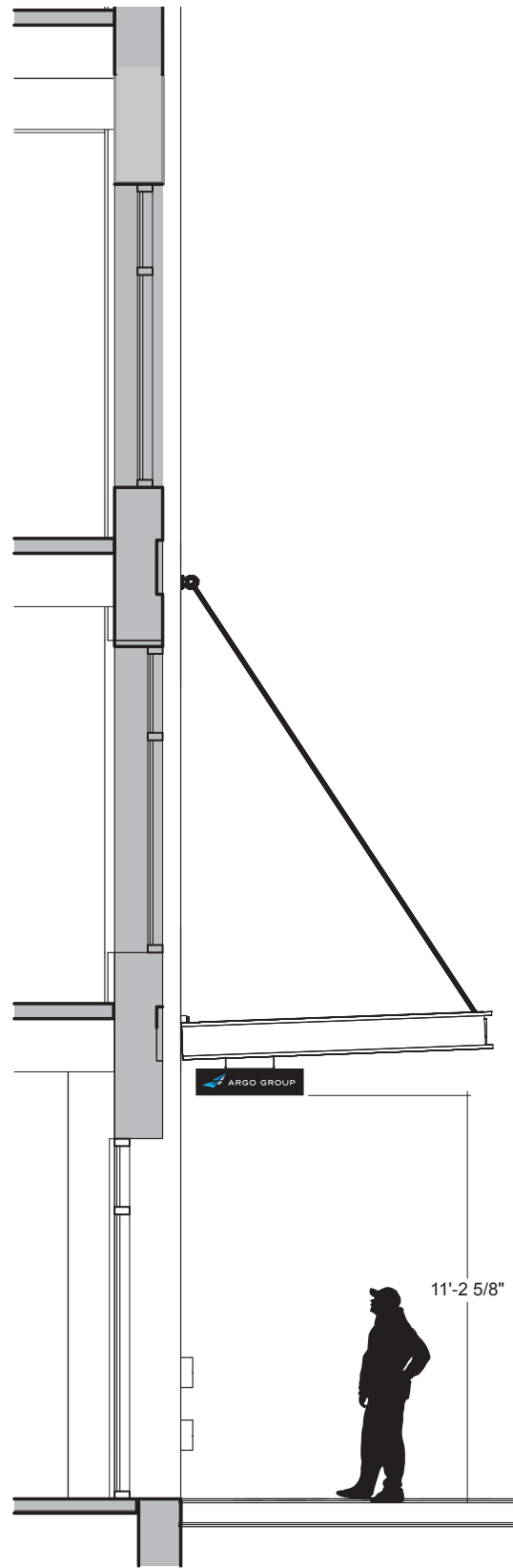


SECTION VIEW

3/4"

3/4" THICK ALUMINUM
DIE CUT TO SHAPE
PAINTED TO MATCH BRAND PMS COLORS
MOUNTED TO BUILDING FACADE WITH 1/4" SPACER

3/4" THICK ALUMINUM
DIE CUT TO SHAPE
PAINTED TO MATCH BRAND PMS COLORS
MOUNTED TO BUILDING FACADE WITH 1/4" SPACER



EXISTING CANOPY

SIGN HANGS FROM CANOPY WITH HARDWARE

5" 9"

3'-0"



1"

1" THICK ALUMINUM PANEL
PAINTED ALL SIDES BLACK

GRAPHIC PRINTED ON VINYL
PRINTED TO MATCH PMS COLORS
DIE CUT TO SHAPE
APPLIED TO PANEL

PRINTED TO MATCH PMS COLORS
DIE CUT TO SHAPE
APPLIED TO PANEL

