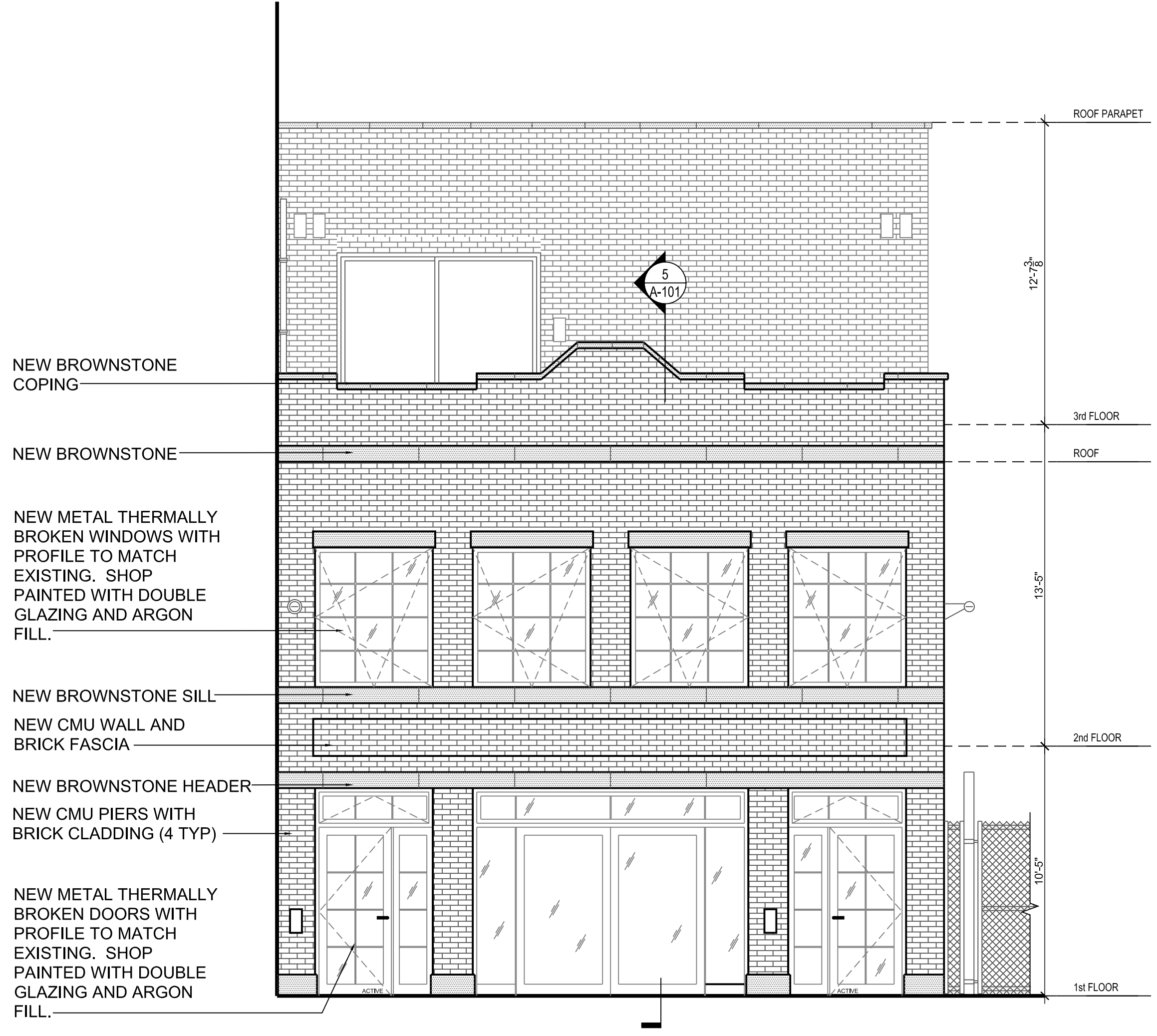
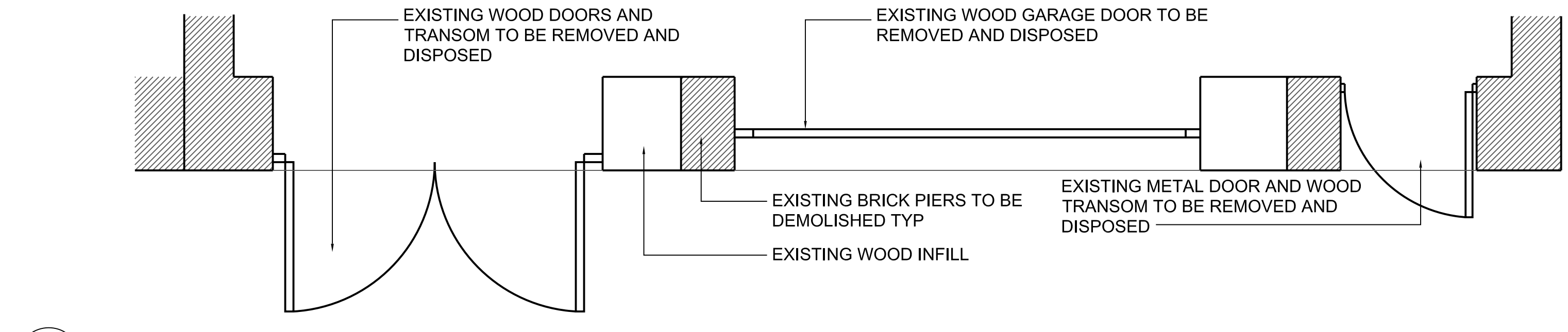


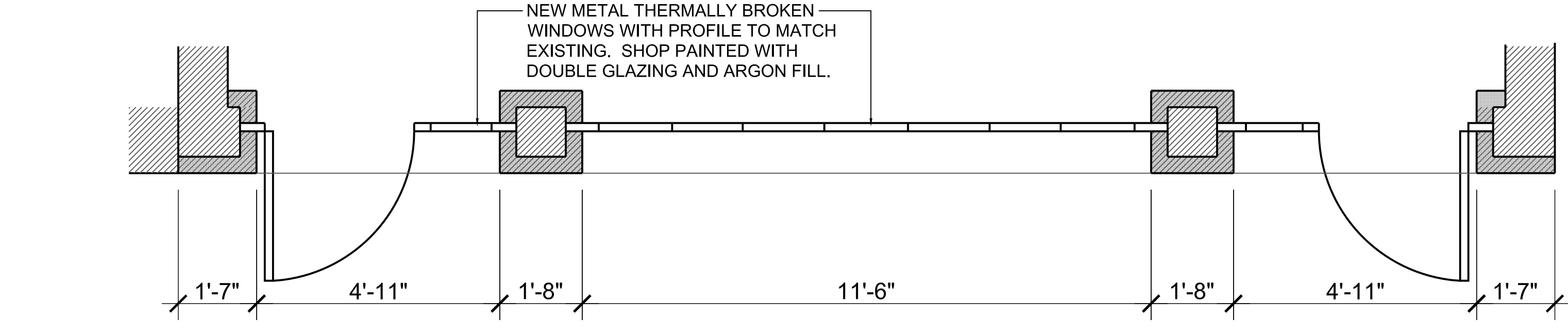
1 EXISTING WEST ELEVATION (HUDSON STREET)
A-100 SCALE: 1/4" = 1'-0"



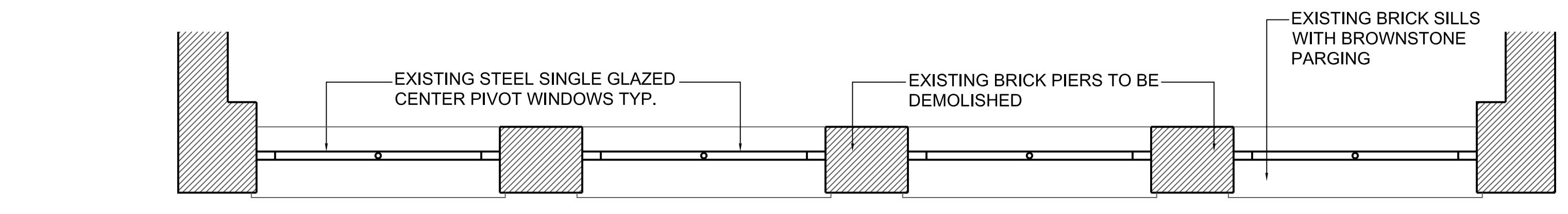
2 PROPOSED WEST ELEVATION (HUDSON STREET)
A-100 SCALE: 1/4" = 1'-0"



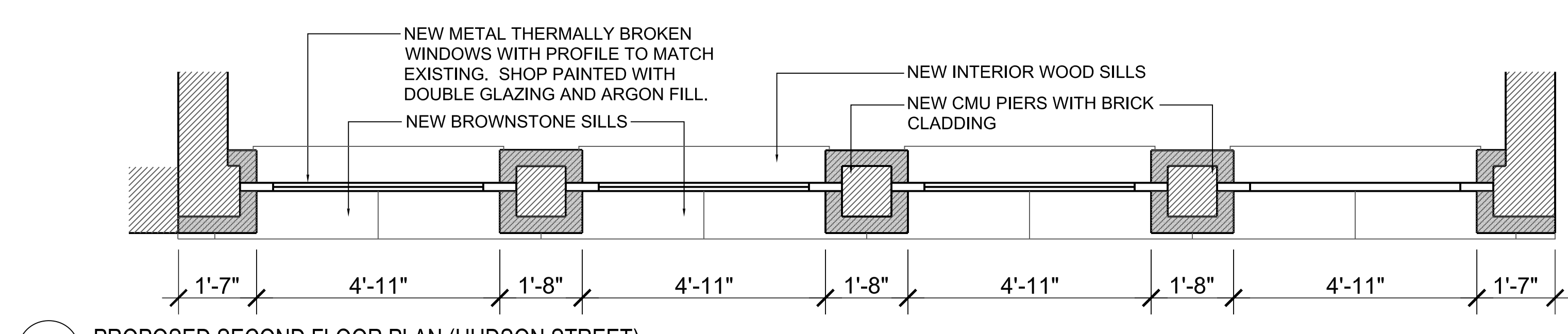
3 EXISTING STOREFRONT PLAN (HUDSON STREET)
A-100 SCALE: 1/2" = 1'-0"



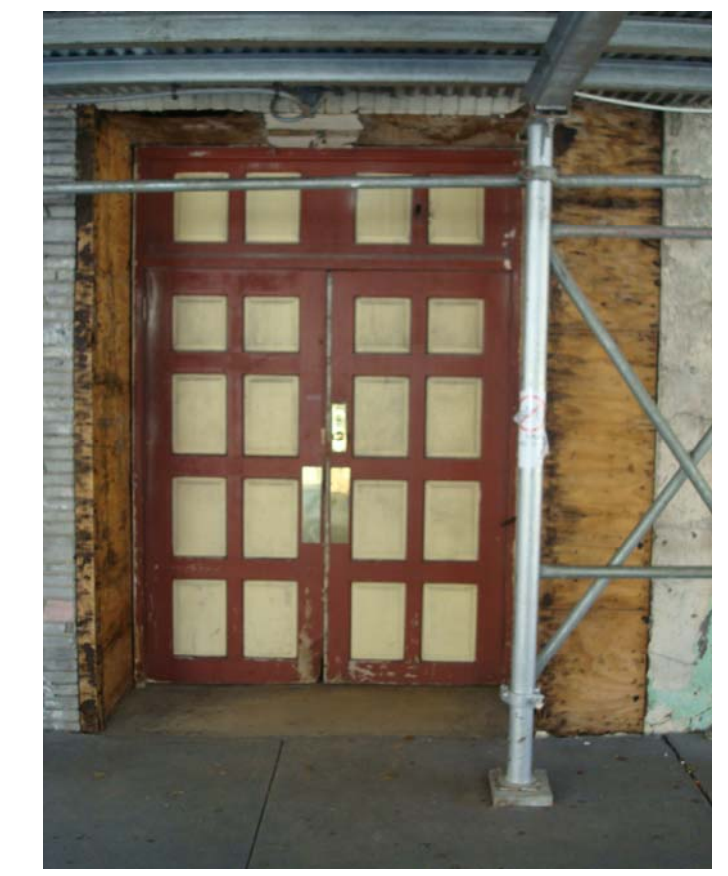
4 PROPOSED STOREFRONT PLAN (HUDSON STREET)
A-100 SCALE: 1/2" = 1'-0"



5 EXISTING SECOND FLOOR PLAN (HUDSON STREET)
A-100 SCALE: 1/2" = 1'-0"



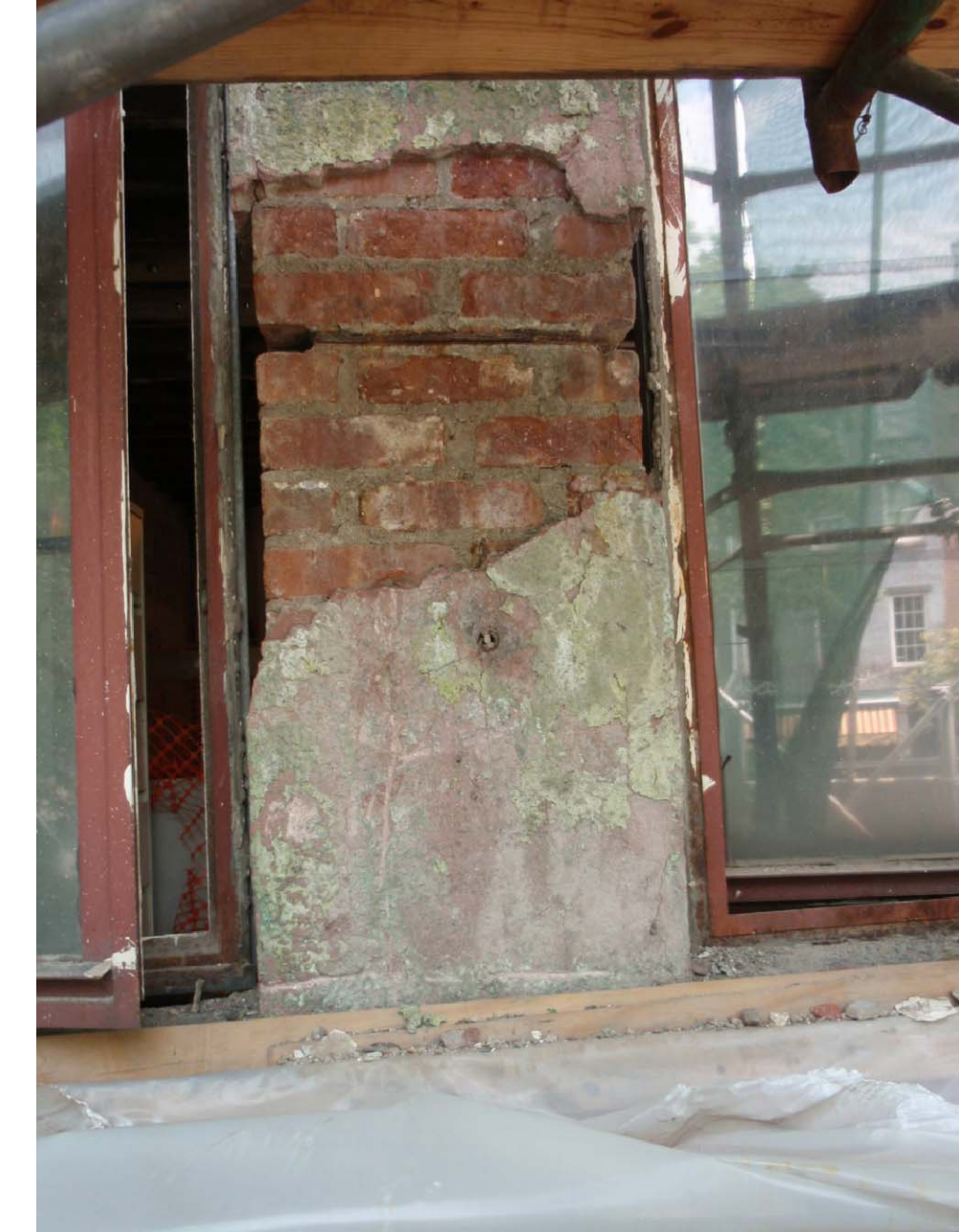
6 PROPOSED SECOND FLOOR PLAN (HUDSON STREET)
A-100 SCALE: 1/2" = 1'-0"



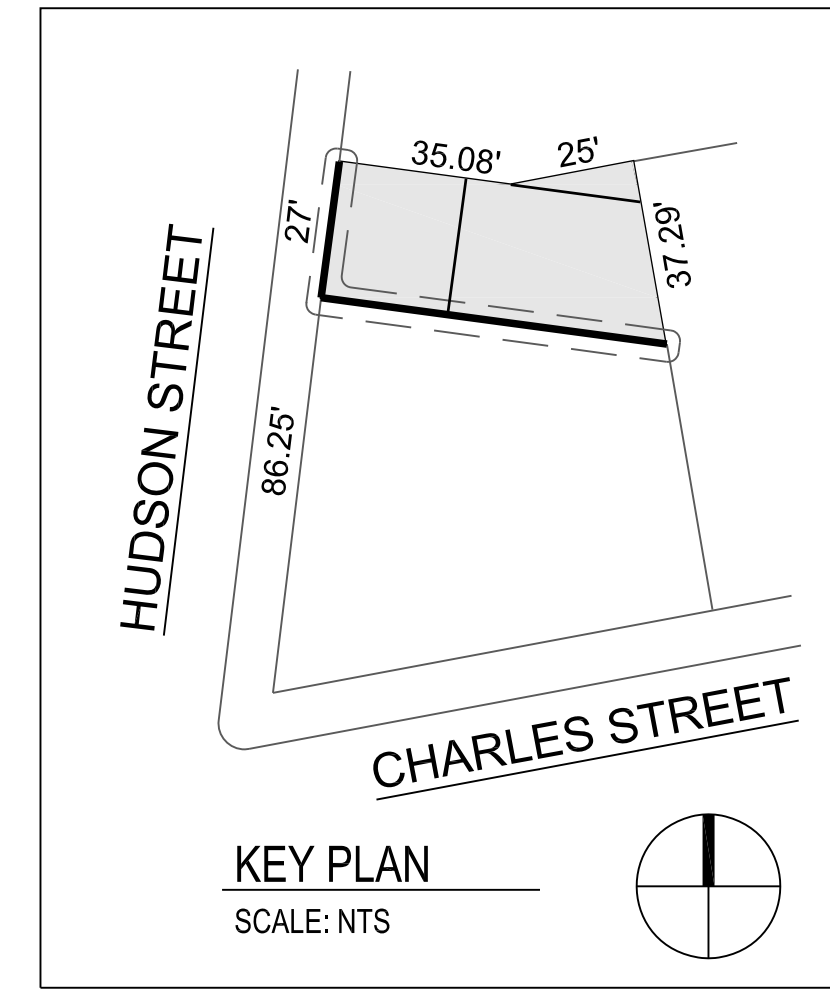
7 EXISTING STOREFRONT PHOTOS



8 EXISTING BROWNSTONE FINISH PHOTO

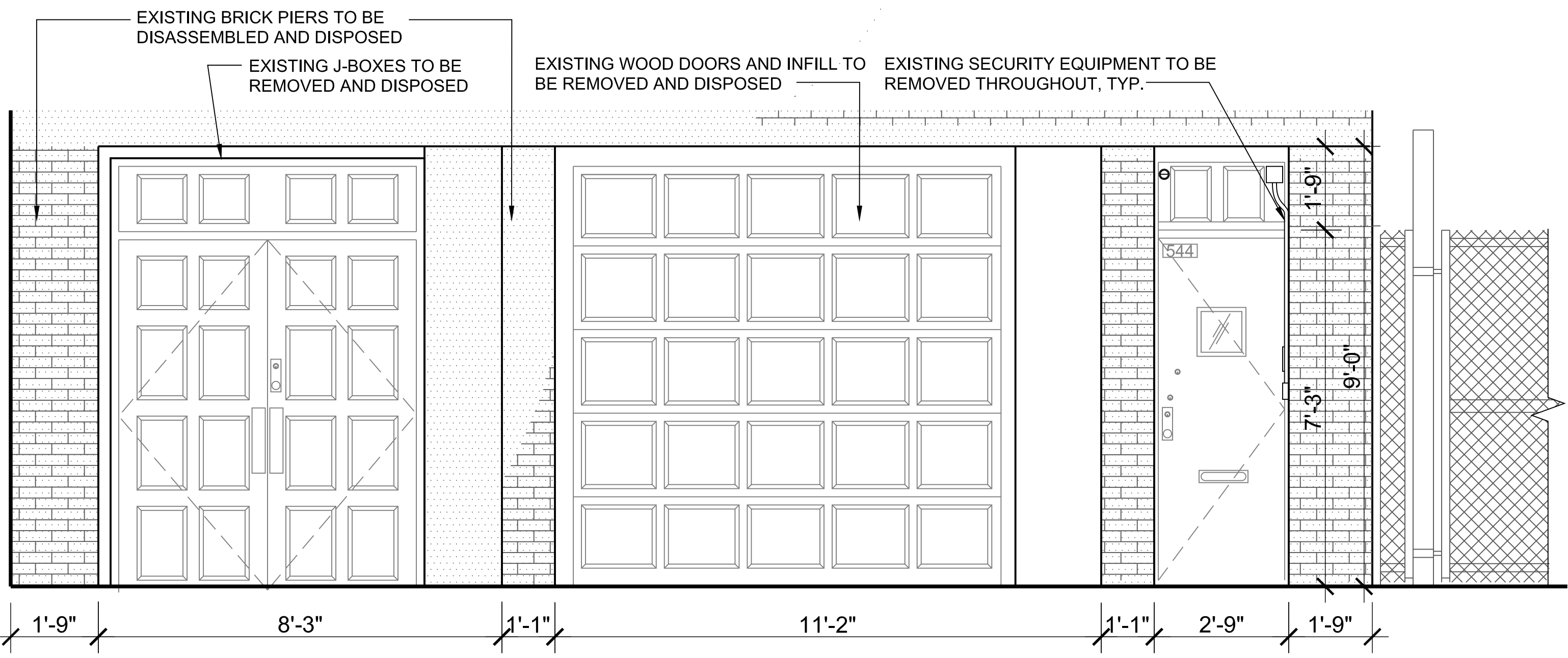


9 EXISTING BROWNSTONE FINISH PHOTO

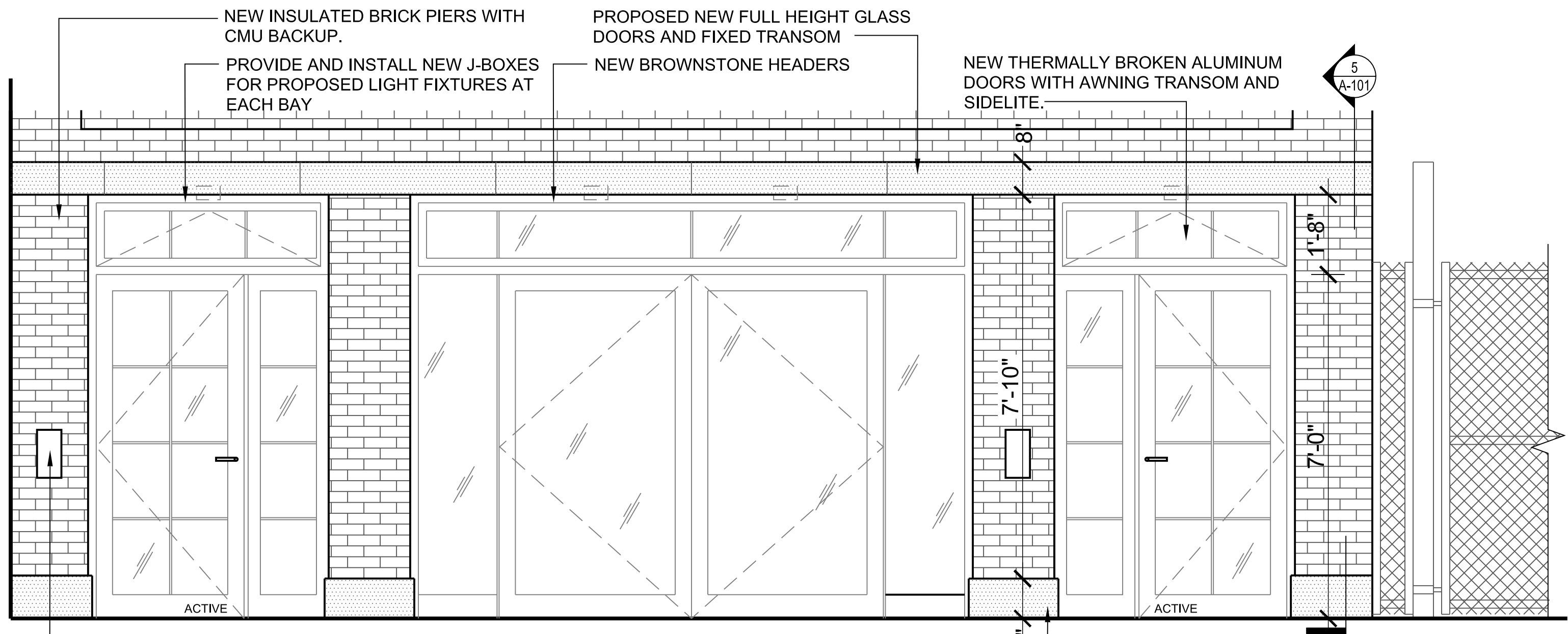


COMMUNITY BOARD / LPC PRESENTATION
544 HUDSON STREET, NEW YORK, NY 10014

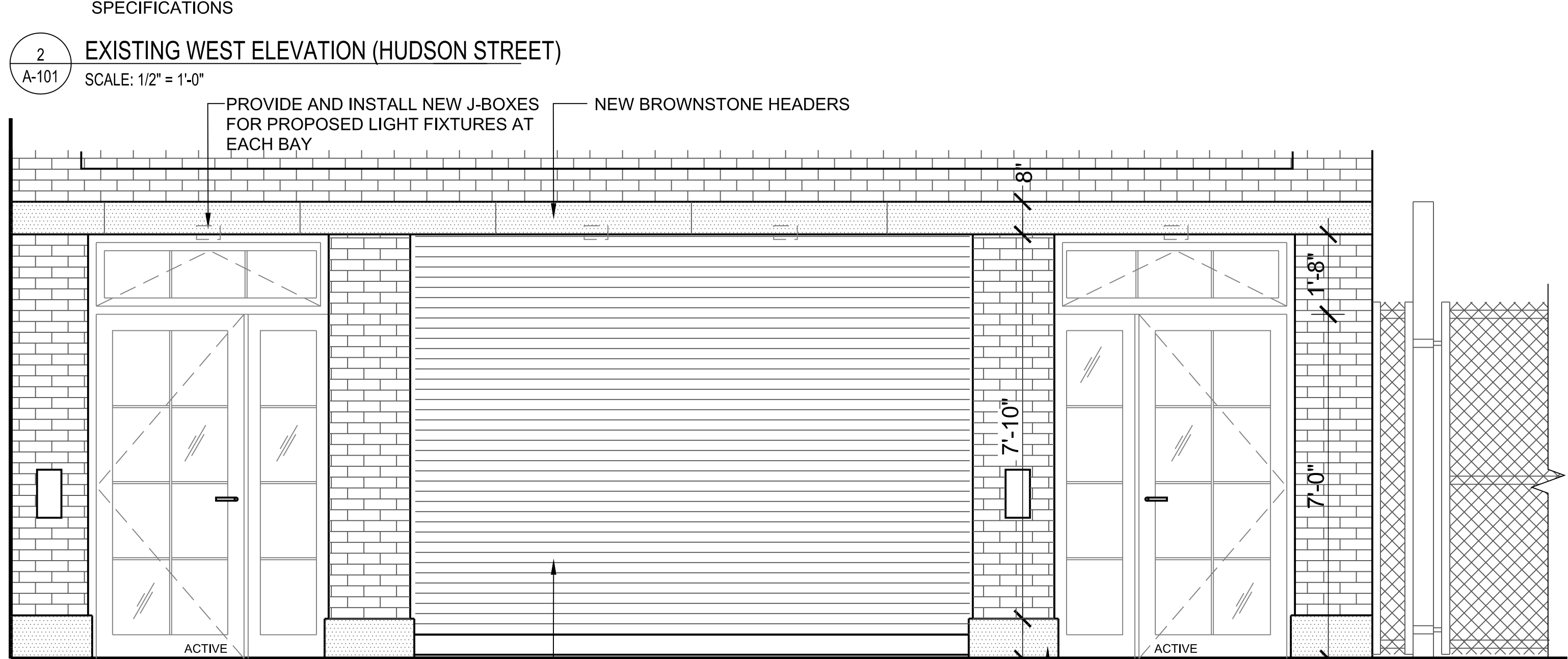




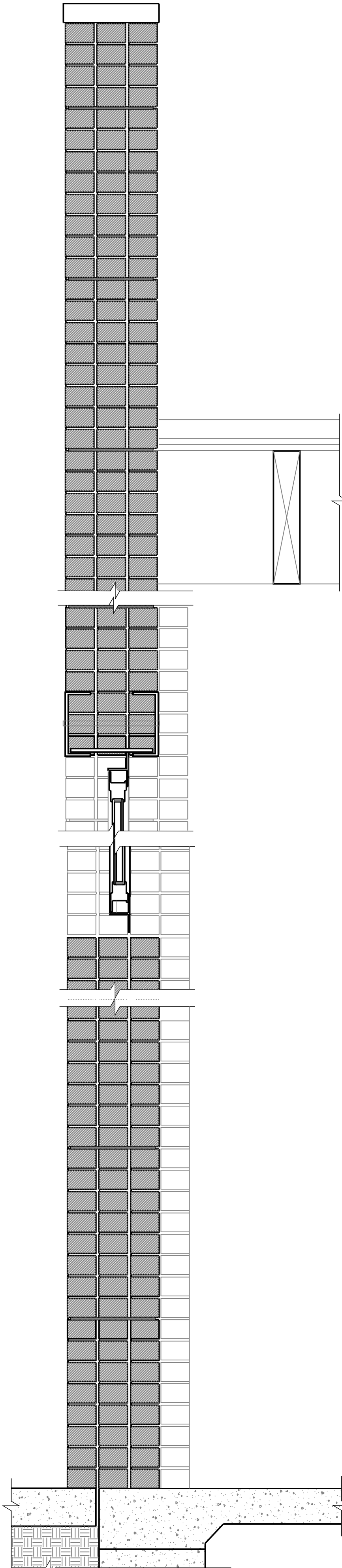
1 EXISTING WEST ELEVATION (HUDSON STREET)
SCALE: 1/2" = 1'-0"



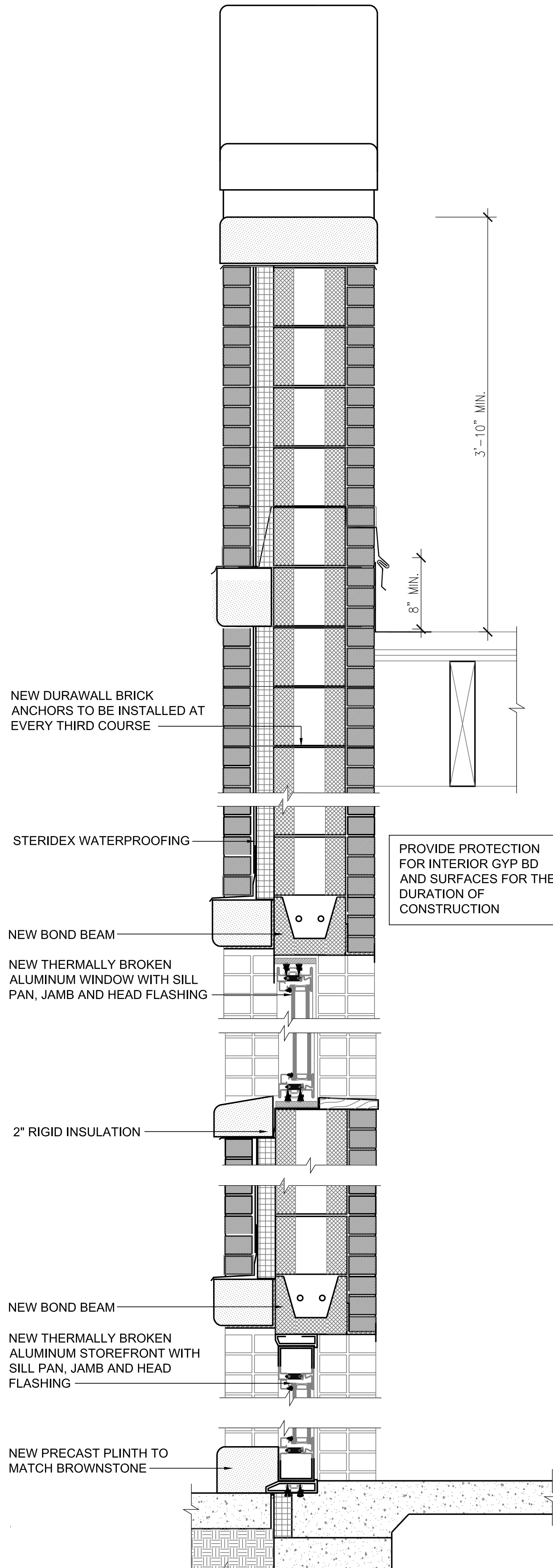
2 EXISTING WEST ELEVATION (HUDSON STREET)
SCALE: 1/2" = 1'-0"



3 EXISTING WEST ELEVATION (HUDSON STREET)
SCALE: 1/2" = 1'-0"



4 EXISTING WEST ELEVATION (HUDSON STREET)
SCALE: 1/2" = 1'-0"



5 EXISTING WEST ELEVATION (HUDSON STREET)
SCALE: 1/2" = 1'-0"



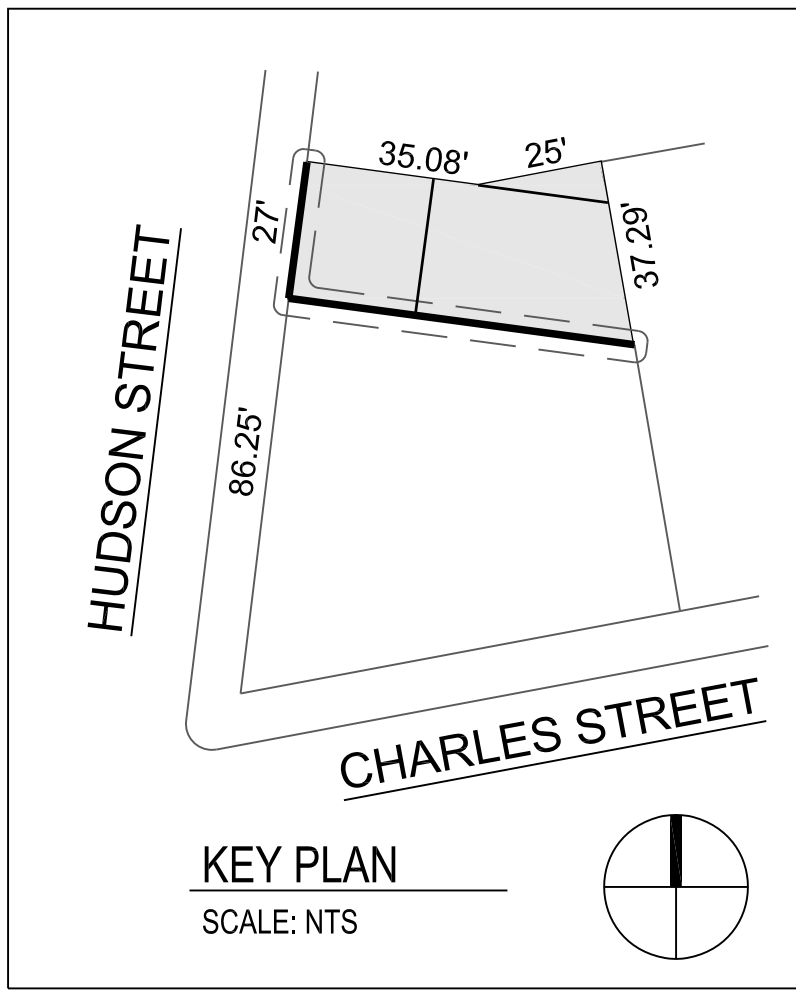
6 WEST WALL BRICK INTERIOR
A-101 PHOTO



7 WINDOW SILL
A-101 PHOTO



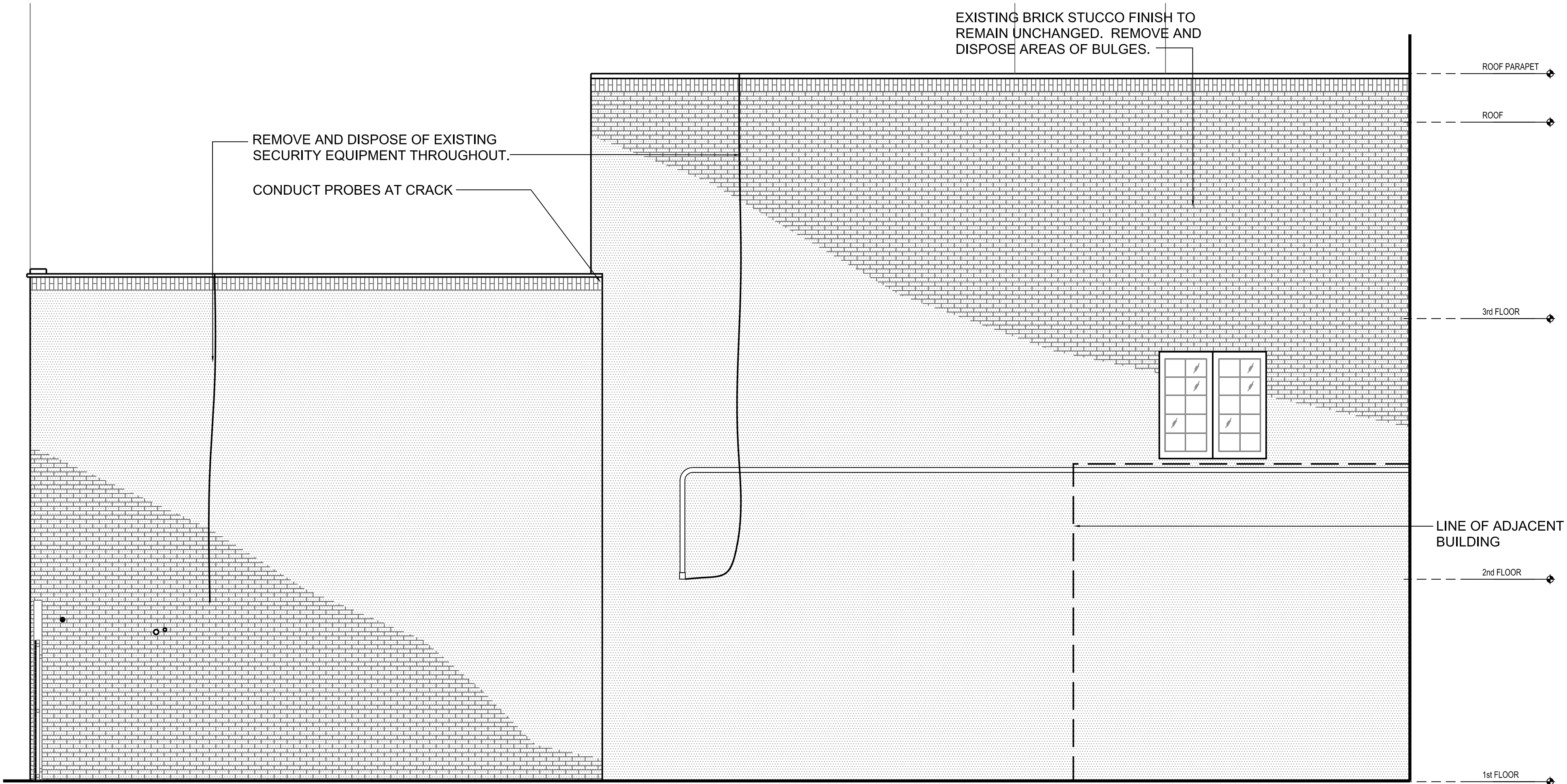
8 WINDOW HEAD
A-101 PHOTO



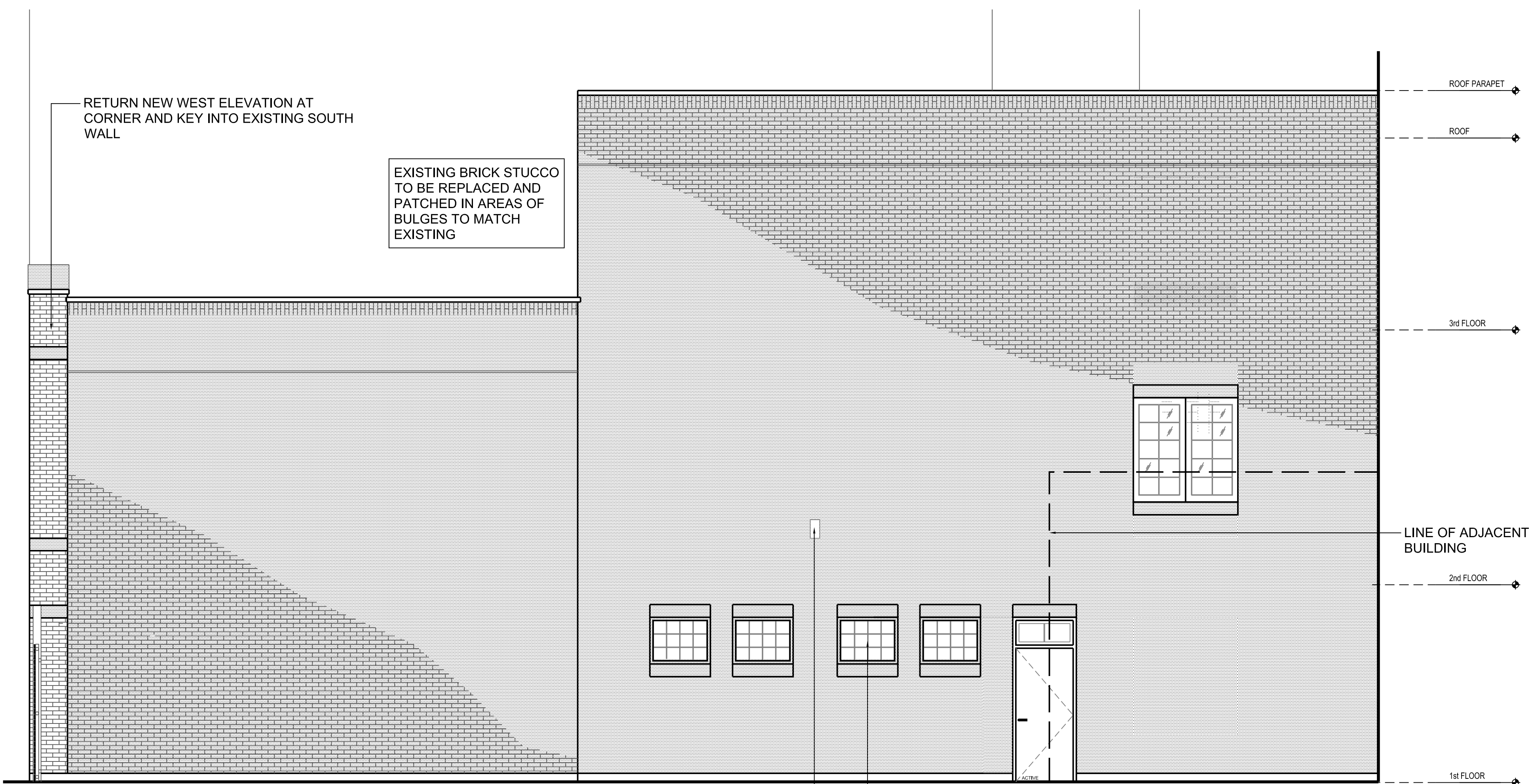
KEY PLAN
SCALE: NTS

COMMUNITY BOARD / LPC PRESENTATION
544 HUDSON STREET, NEW YORK, NY 10014





1 EXIST. SOUTH ELEVATION (CHARLES STREET SIDE)
A-102 SCALE: 1/4" = 1'-0"



2 PROPOSED SOUTH ELEVATION (CHARLES STREET SIDE)
A-102 SCALE: 1/4" = 1'-0"



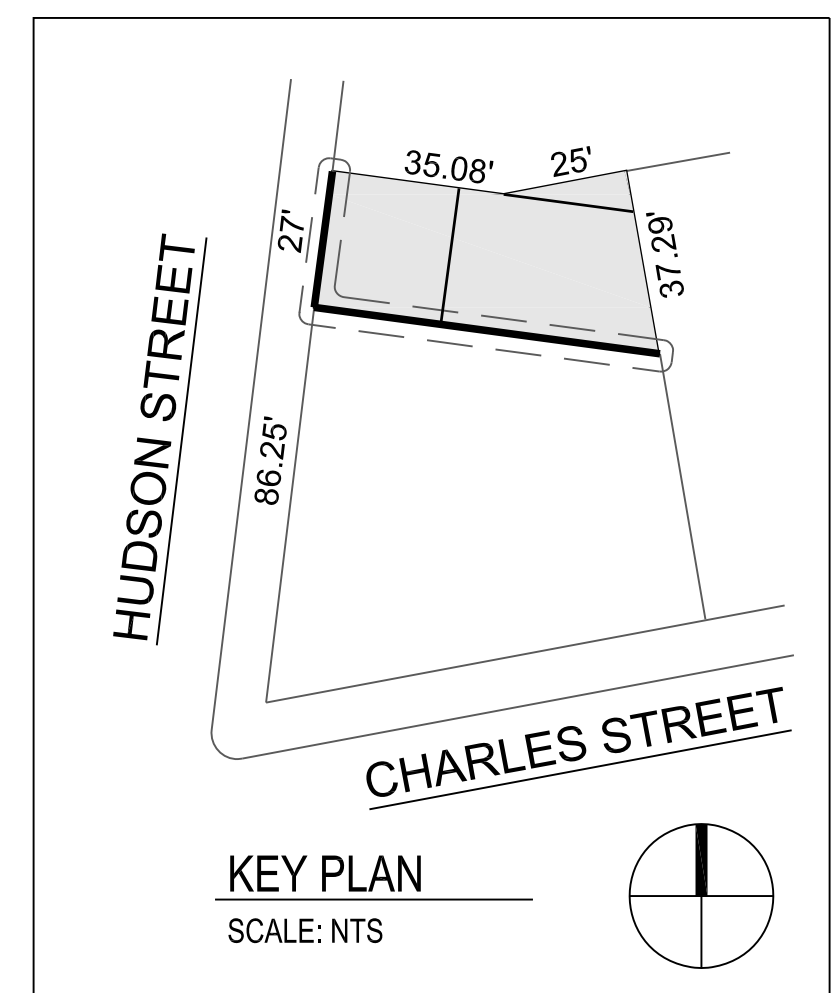
3 HISTORICAL PHOTO 1932
A-102 PHOTO



4 CURRENT PHOTO
A-102 PHOTO



5 CURRENT PHOTO LOOKING NORTH
A-102 PHOTO



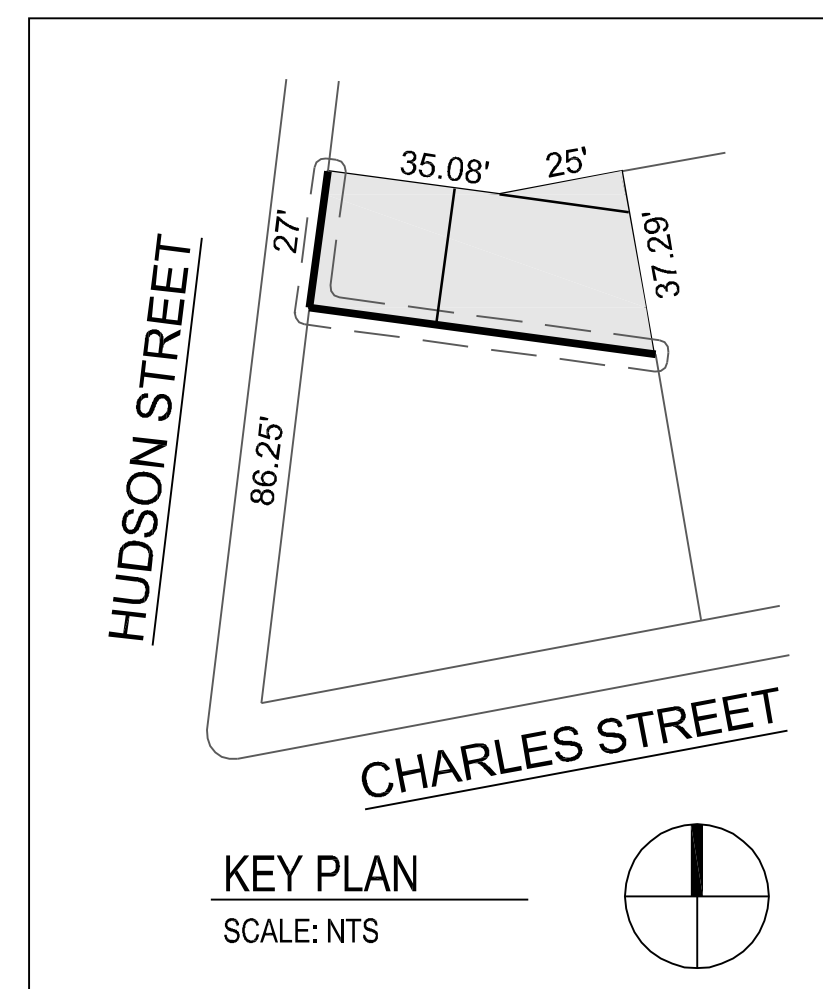
KEY PLAN
SCALE: NTS

COMMUNITY BOARD / LPC PRESENTATION
544 HUDSON STREET, NEW YORK, NY 10014





NEIGHBORHOOD PHOTOGRAPHS



KEY PLAN
SCALE: NTS

COMMUNITY BOARD / LPC PRESENTATION
544 HUDSON STREET, NEW YORK, NY 10014

